

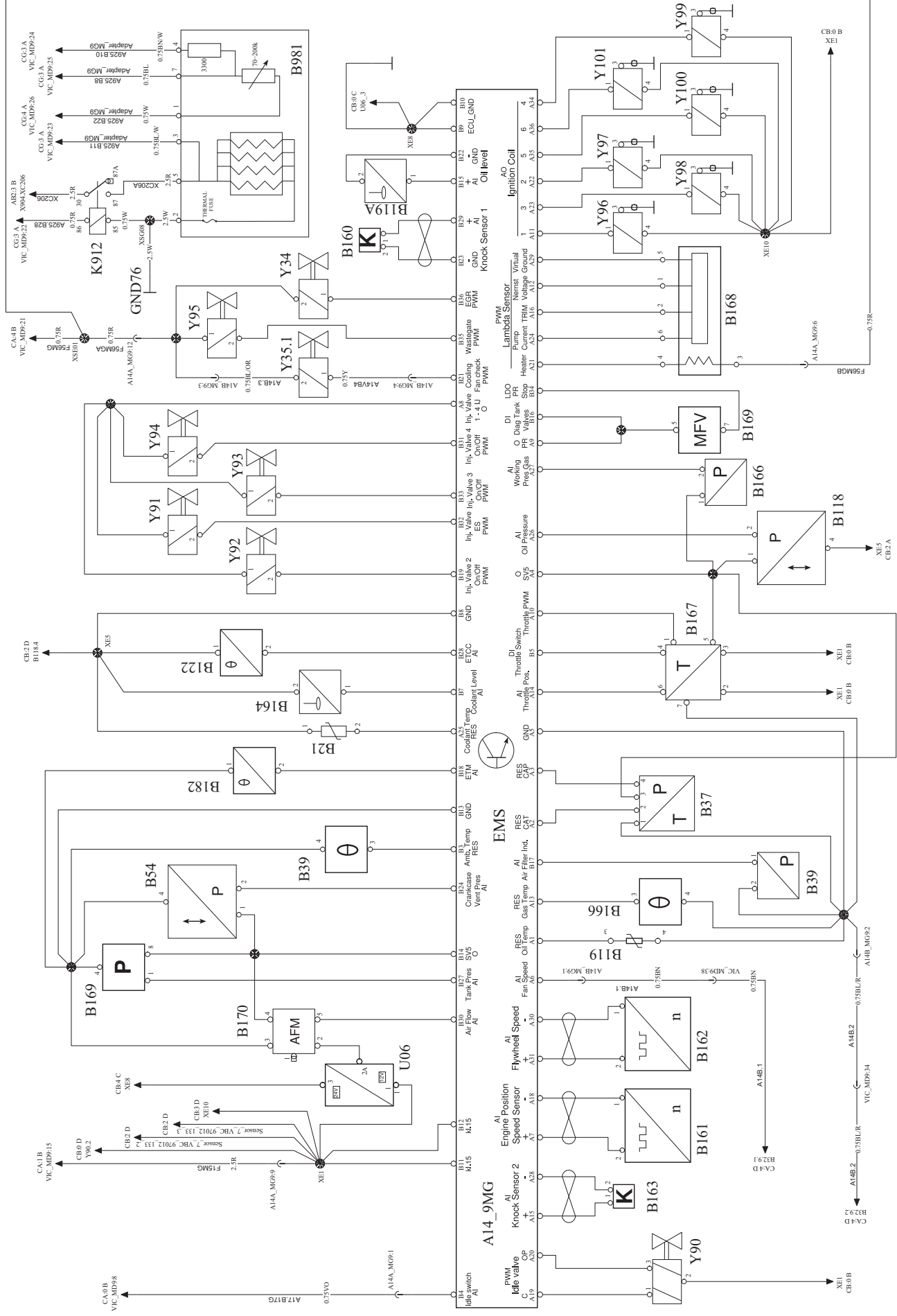
Document title
 WIRING DIAGRAM CA2
 Document type
 PRODUCT SCHEMATIC

Document No
 20904123

Issue
 14

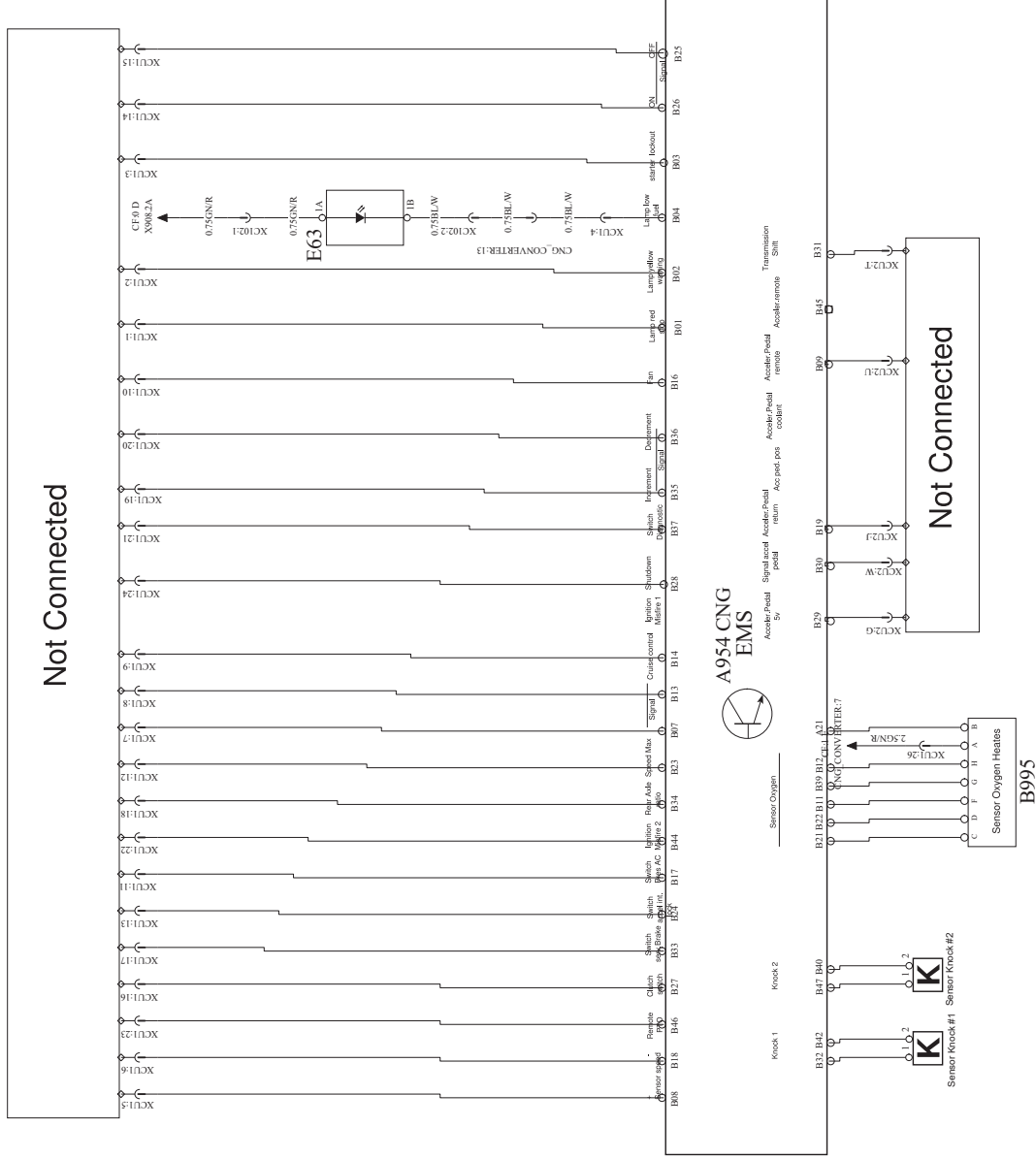
Volume
 01(02)

Page
 21(74)



Document title	WIRING DIAGRAM CB
Document type	PRODUCT SCHEMATIC

Document No	20904123
Issue	14
Volume	01(02)
Page	22(74)



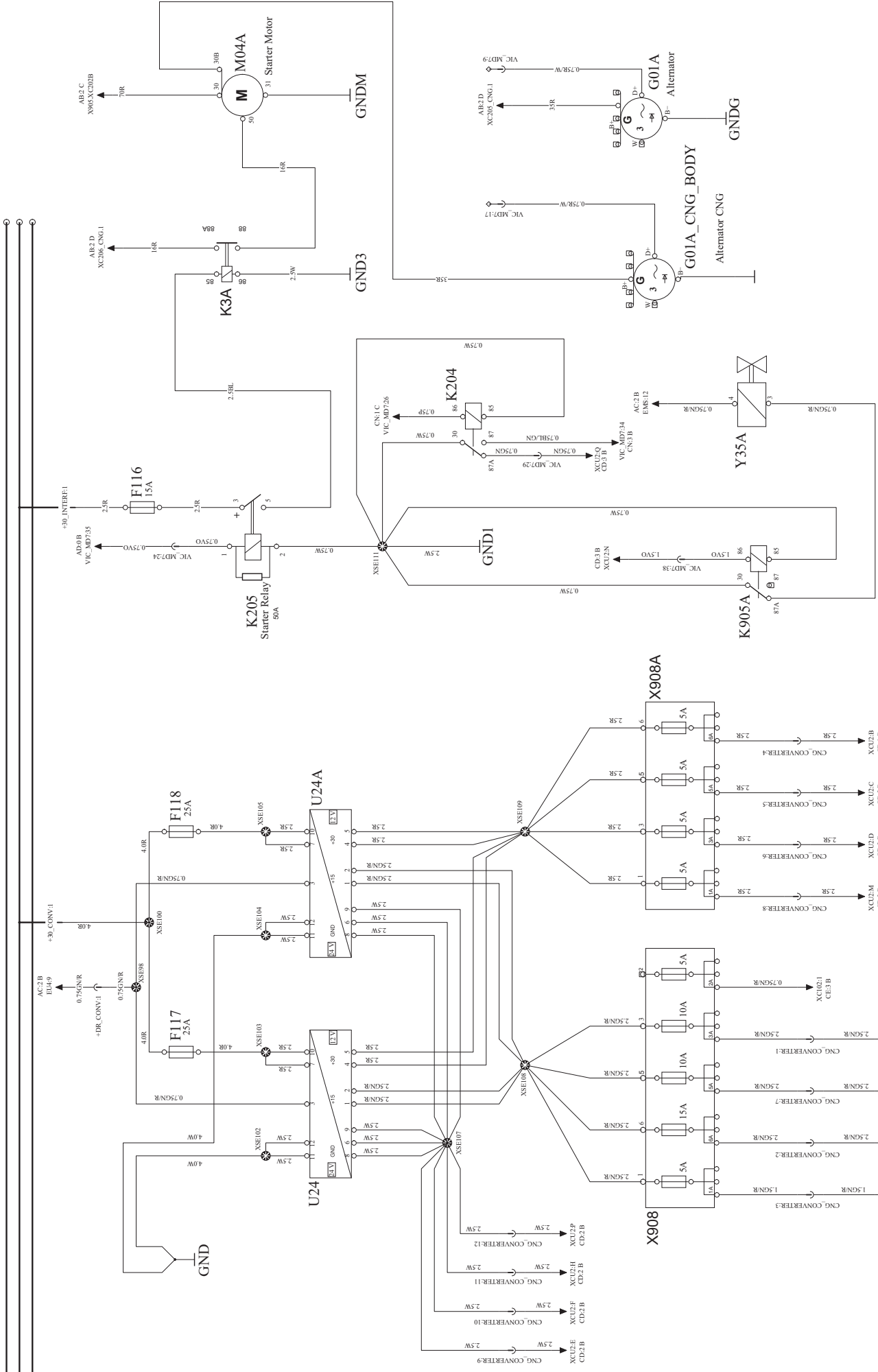
Not Connected

Not Connected

Document title	WIRING DIAGRAM CE	Document No	20904123	Issue	14	Volume	01(02)	Page	25(74)
Document type	PRODUCT SCHEMATIC								

CONVERTER CUMMINS CNG

WIRING DIAGRAM CF



Document title
WIRING DIAGRAM CF
 Document type
PRODUCT SCHEMATIC

Document No
20904123

Issue
14
 Volume
01(02)
 Page
26(74)

0	1	2	3	4
A	B	C	D	E

ESI CONTROL UNIT

WIRING DIAGRAM CH



F58
5A



FHRB7



_f261100_72



FTM1



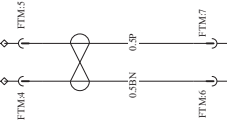
0.75BN



ESH1



A6
KL30



FTM4

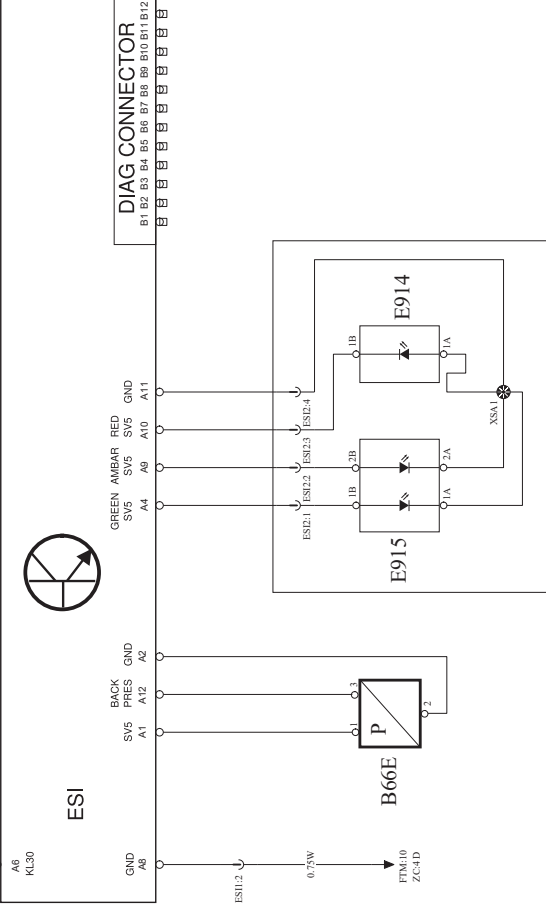
FTM5

0.3BN

0.3P

FTM6

FTM7



ESI

BACK SV5 A1

PRES SV5 A12

GND A2

GREEN SV5 A4

AMBER SV5 A9

RED SV5 A10

GND A11

B1 B2 B3 B4 B5 B6 B7 B8 B9 B10 B11 B12

DIAG CONNECTOR

B1 B2 B3 B4 B5 B6 B7 B8 B9 B10 B11 B12

B66E



1 2 3

ESN12 0.75W FTM10 ZC4D



0.75W



ZC4D



1B



2B



1A



2A



1A



2A



1B



2B



1A



2A



1A



2A



1B



2B



1A



2A



1A



2A



1B



2B



1A



2A



1A



2A



1B



2B



1A



2A



1A



2A



1B



2B



1A



2A



1A



2A



1B



2B



1A



2A



1A



2A



1B



2B



1A



2A



1A



2A



1B



2B



1A



2A



1A



2A



1B



2B



1A



2A



1A



2A



1B



2B



1A



2A



1A



2A



1B



2B



1A



2A



1A



2A



1B



2B



1A



2A



1A



2A



1B



2B



1A



2A



1A



2A



1B



2B



1A



2A



1A



2A



1B



2B



1A



2A



1A



2A



1B



2B



1A



2A



1A



2A



1B



2B



1A



2A



1A



2A



1B



2B



1A



2A



1A



2A



1B



2B



1A



2A



1A



2A



1B



2B



1A



2A



1A



2A

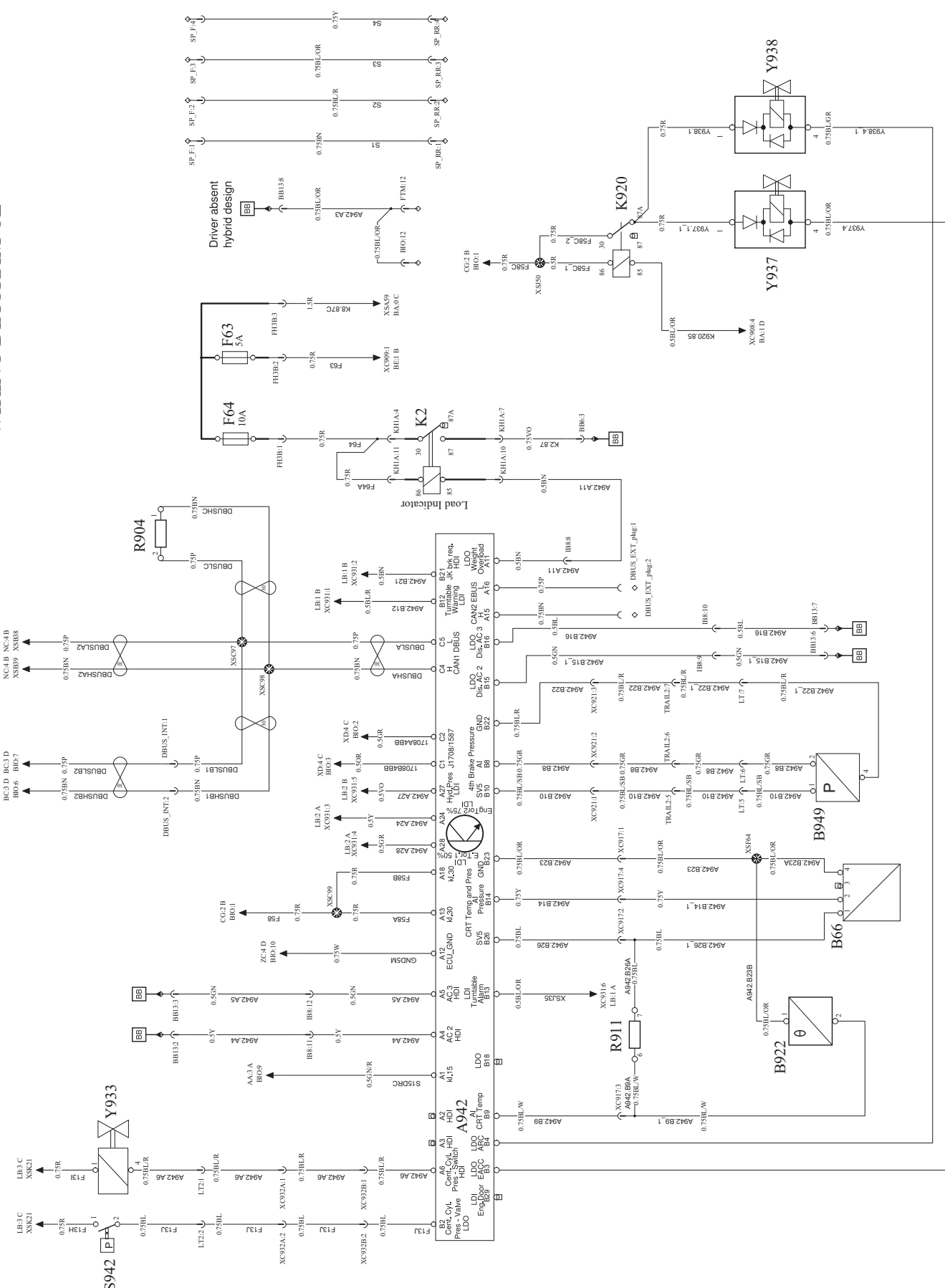


1B

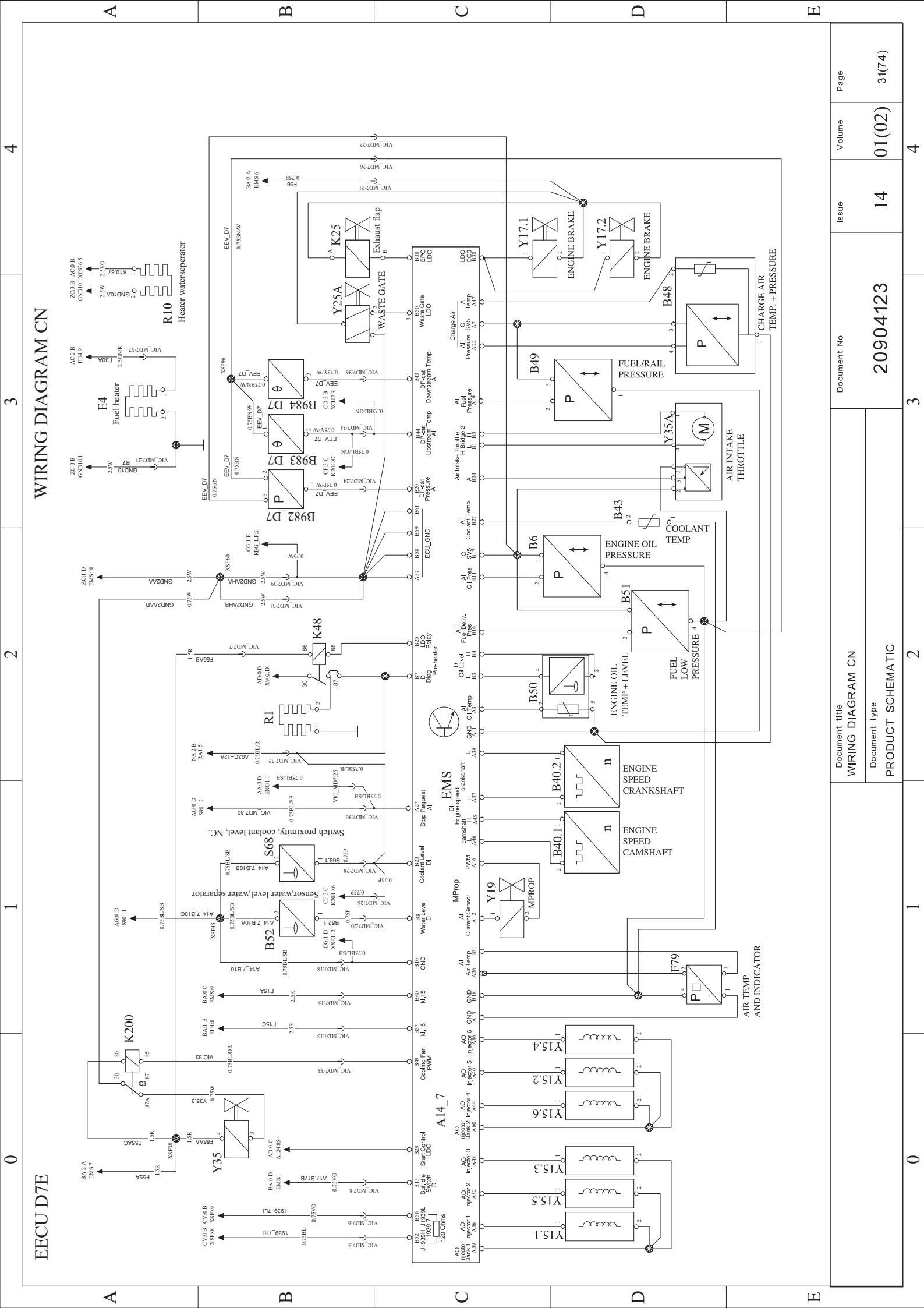


2B





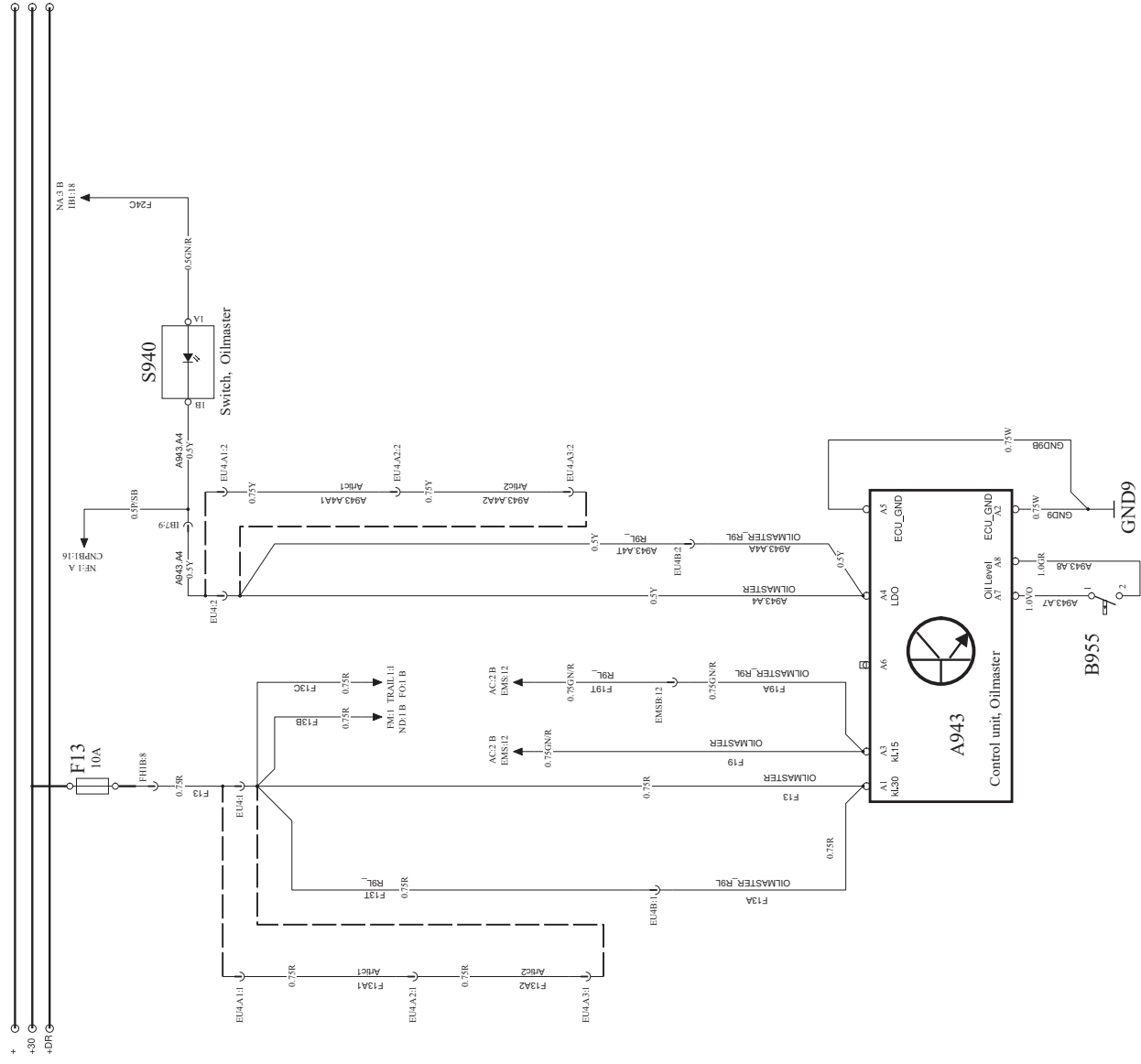
Document No	20904123	Issue	14	Volume	01(02)	Page	29(74)
Document title	WIRING DIAGRAM CL	Document type	PRODUCT SCHEMATIC				



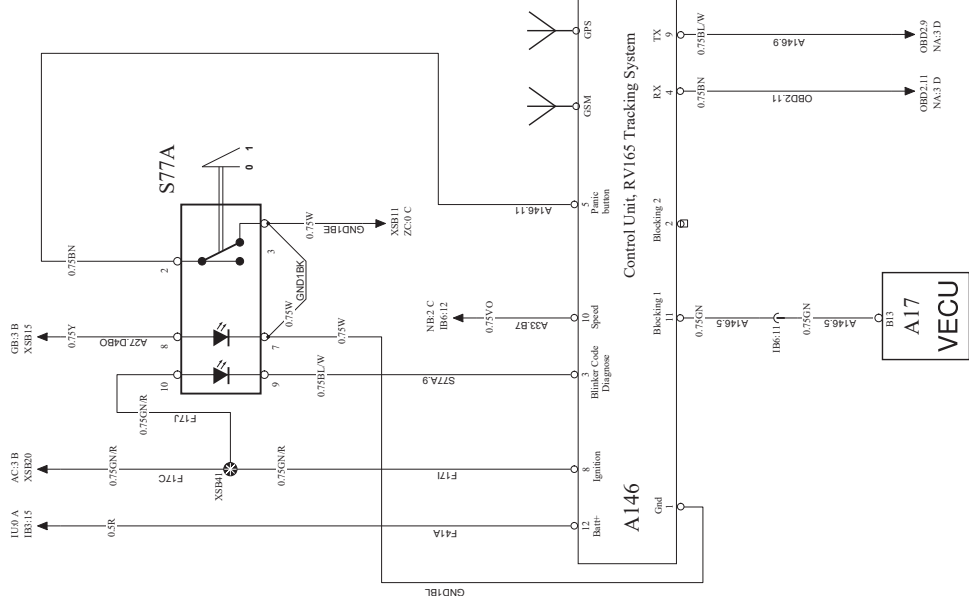
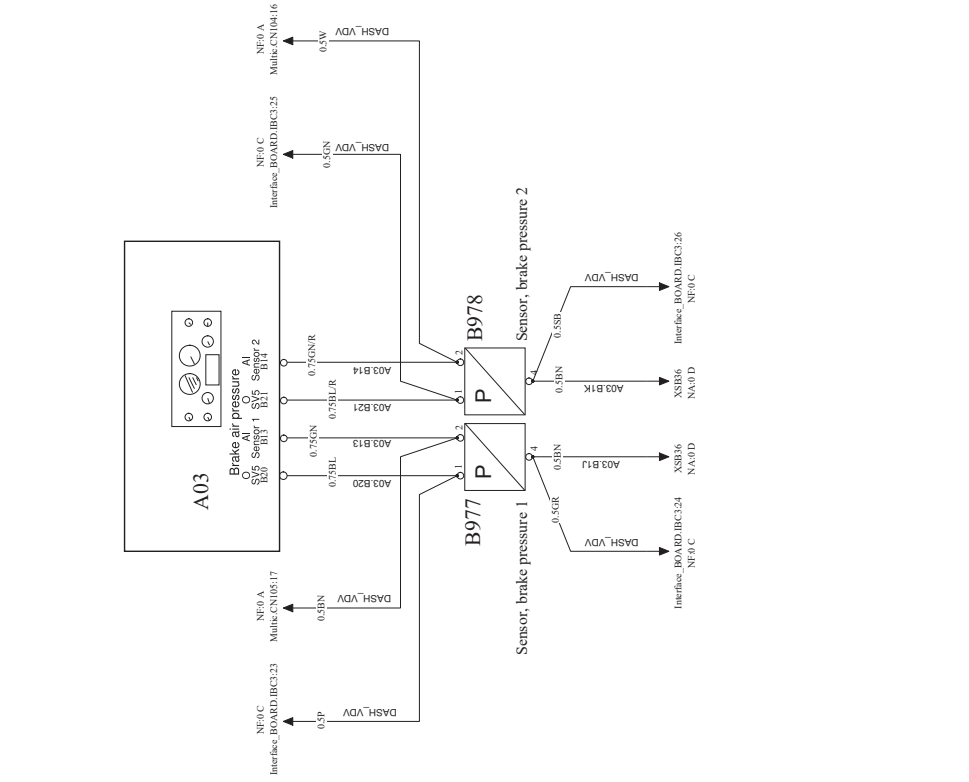
Document No	20904123	Issue	14	Volume	01(02)	Page	3(74)
Document title	WIRING DIAGRAM CN	Document type	PRODUCT SCHEMATIC				

OILMASTER

WIRING DIAGRAM CO

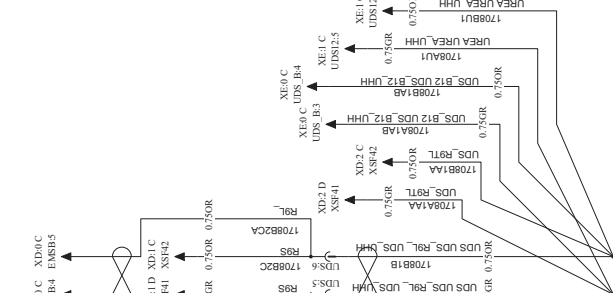
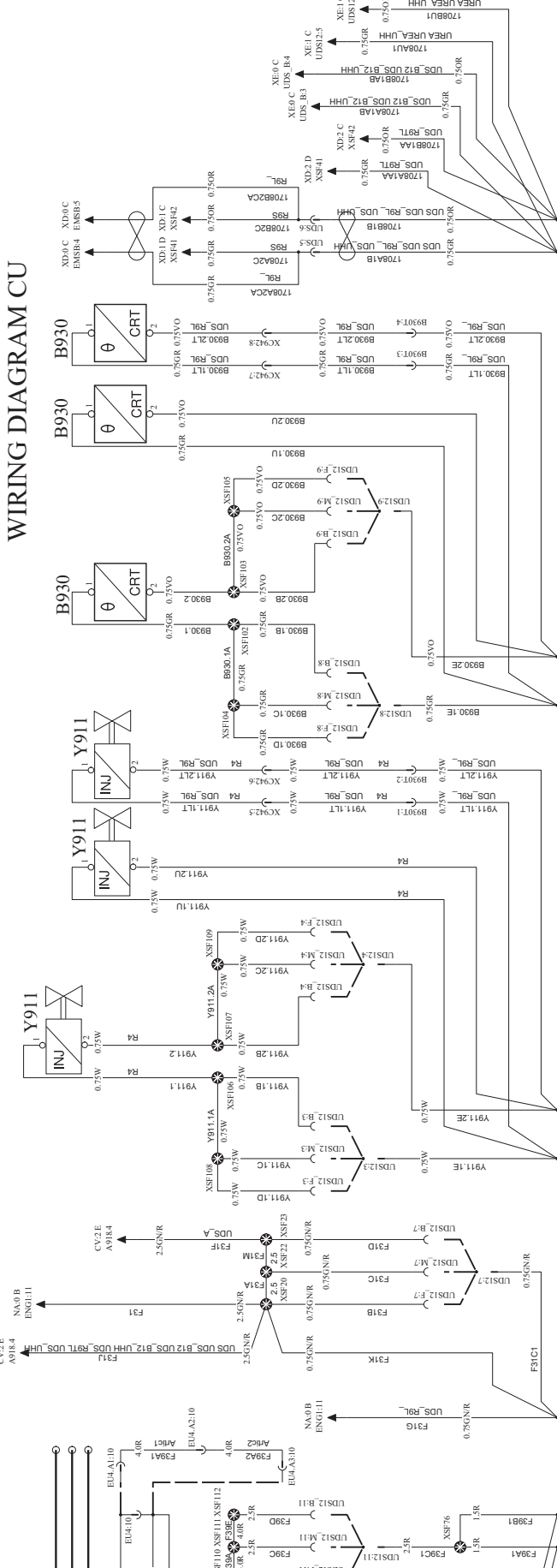


Document title WIRING DIAGRAM CO		Document No 20904123	Issue 14	Volume 01(02)	Page 32(74)
Document type PRODUCT SCHEMATIC					

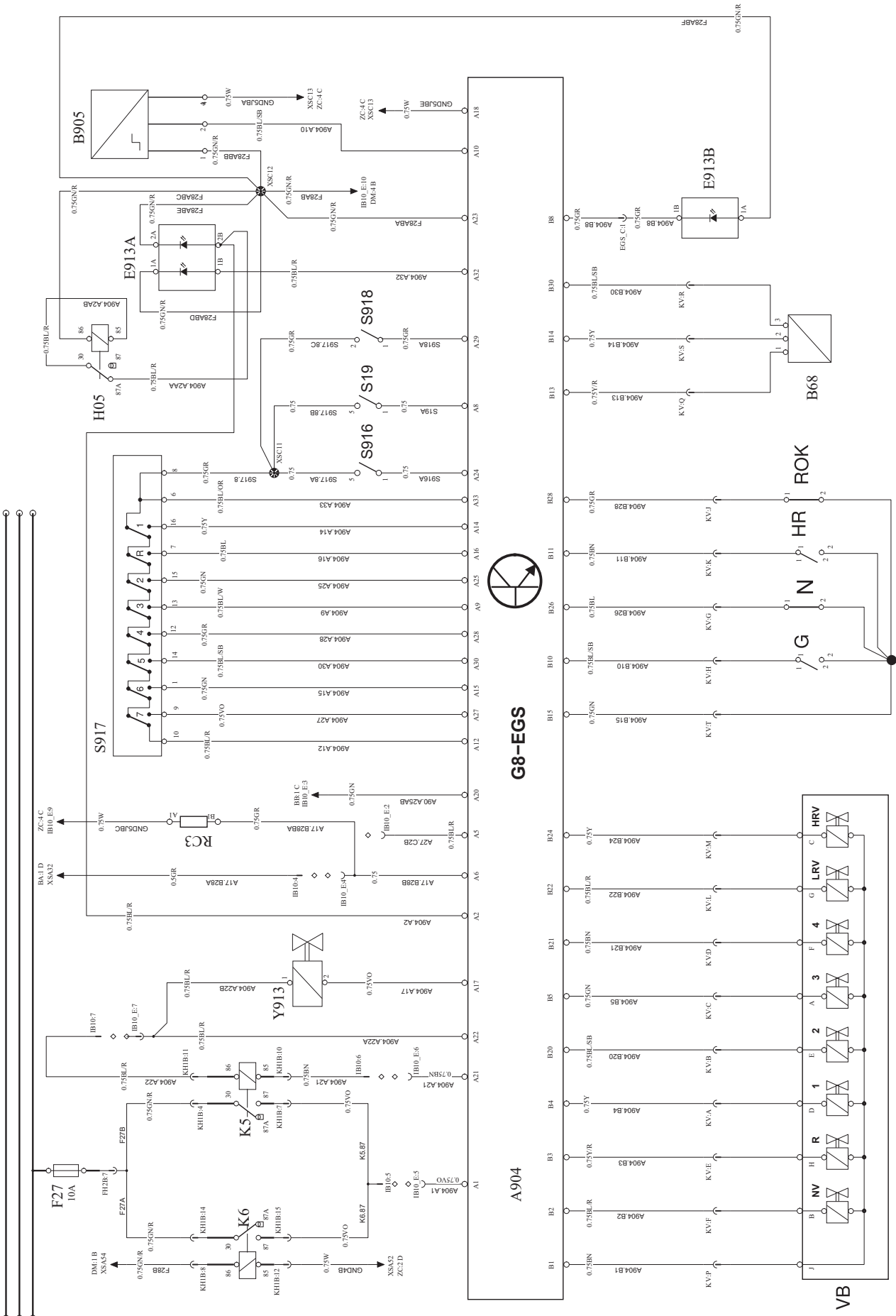


Document title	WIRING DIAGRAM CP	Document No	20904123	Issue	14	Volume	01(02)	Page	33(74)
Document type	PRODUCT SCHEMATIC								

DNOX2



Document title	WIRING DIAGRAM CU	Document No	20904123	Issue	14	Volume	01(02)	Page	34(74)
Document type	PRODUCT SCHEMATIC								



0	1	2	3	4
Document title WIRING DIAGRAM DA		Document No 20904123		Page 36(74)
Document type PRODUCT SCHEMATIC		Issue 14	Volume 01(02)	4