

0	1	2	3	4
Document title WIRING DIAGRAM DC				
Document type PRODUCT SCHEMATIC				
Document No 20904123				
Issue 14				
Volume 01(02)				
Page 38(74)				

ECOLIFE ZF

WIRING DIAGRAM DD

A

B

C

D

E

0

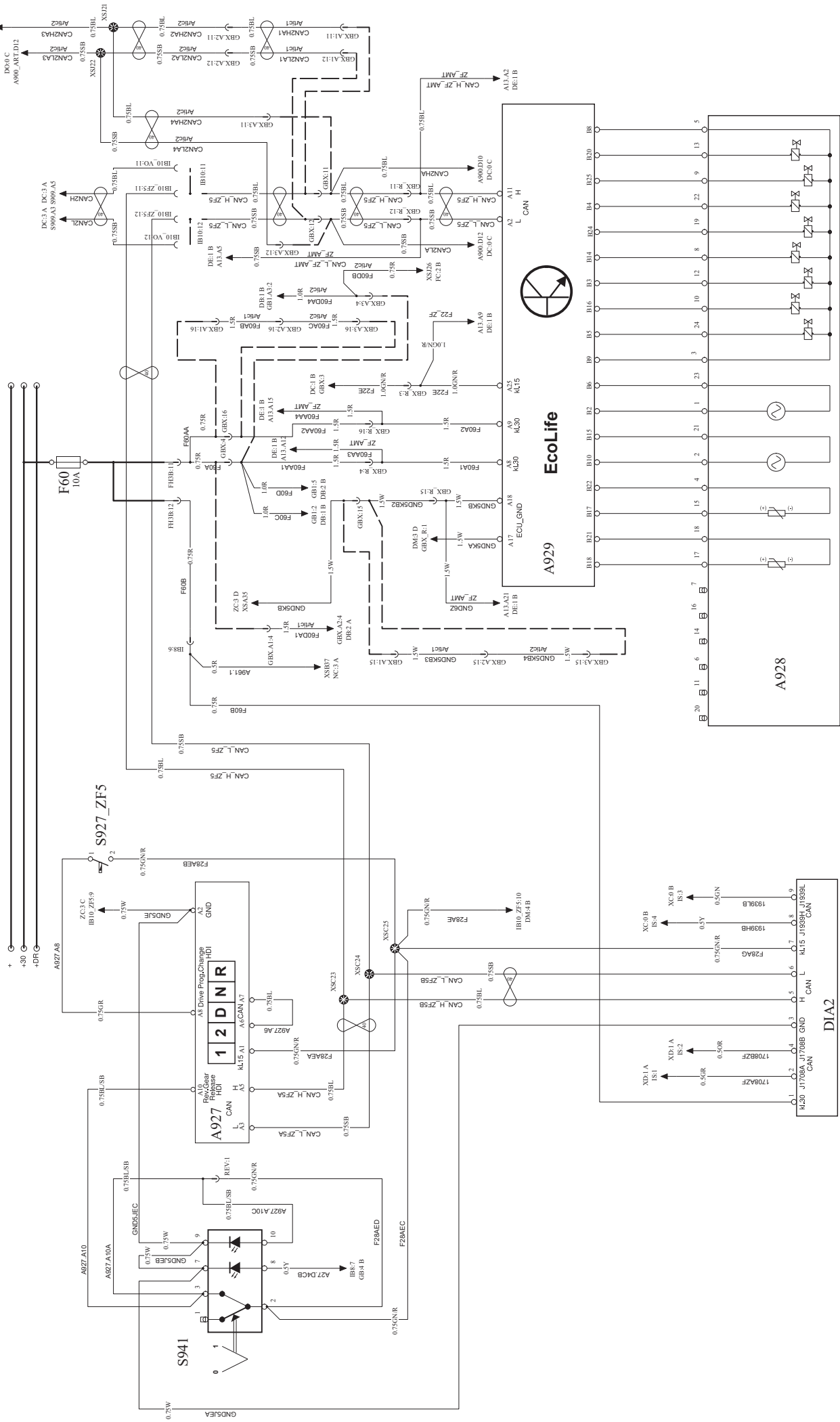
1

2

3

4

4



Document title
WIRING DIAGRAM DD

Document type
PRODUCT SCHEMATIC

Document No

20904123

Issue

14

Volume

01(02)

Page

39(74)

0

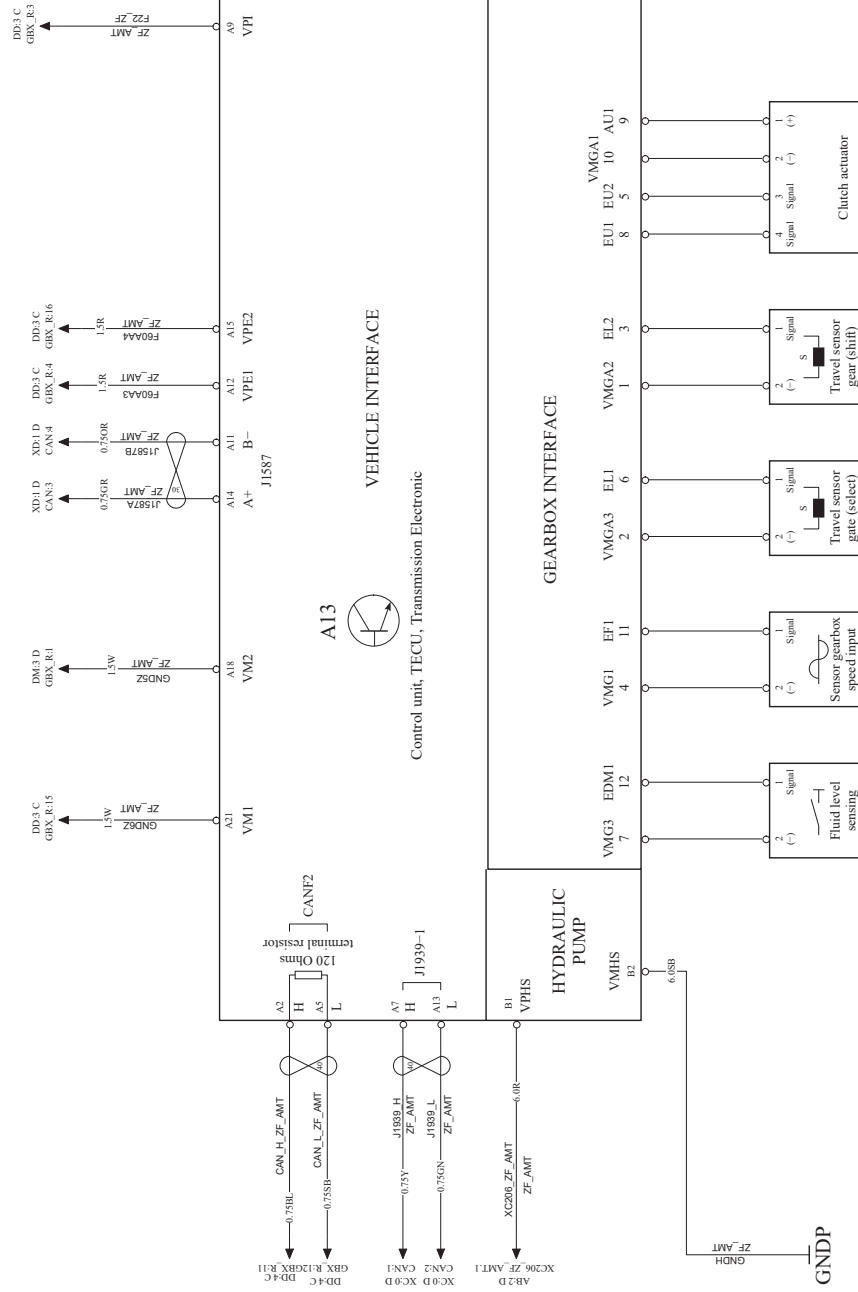
1

2

3

4

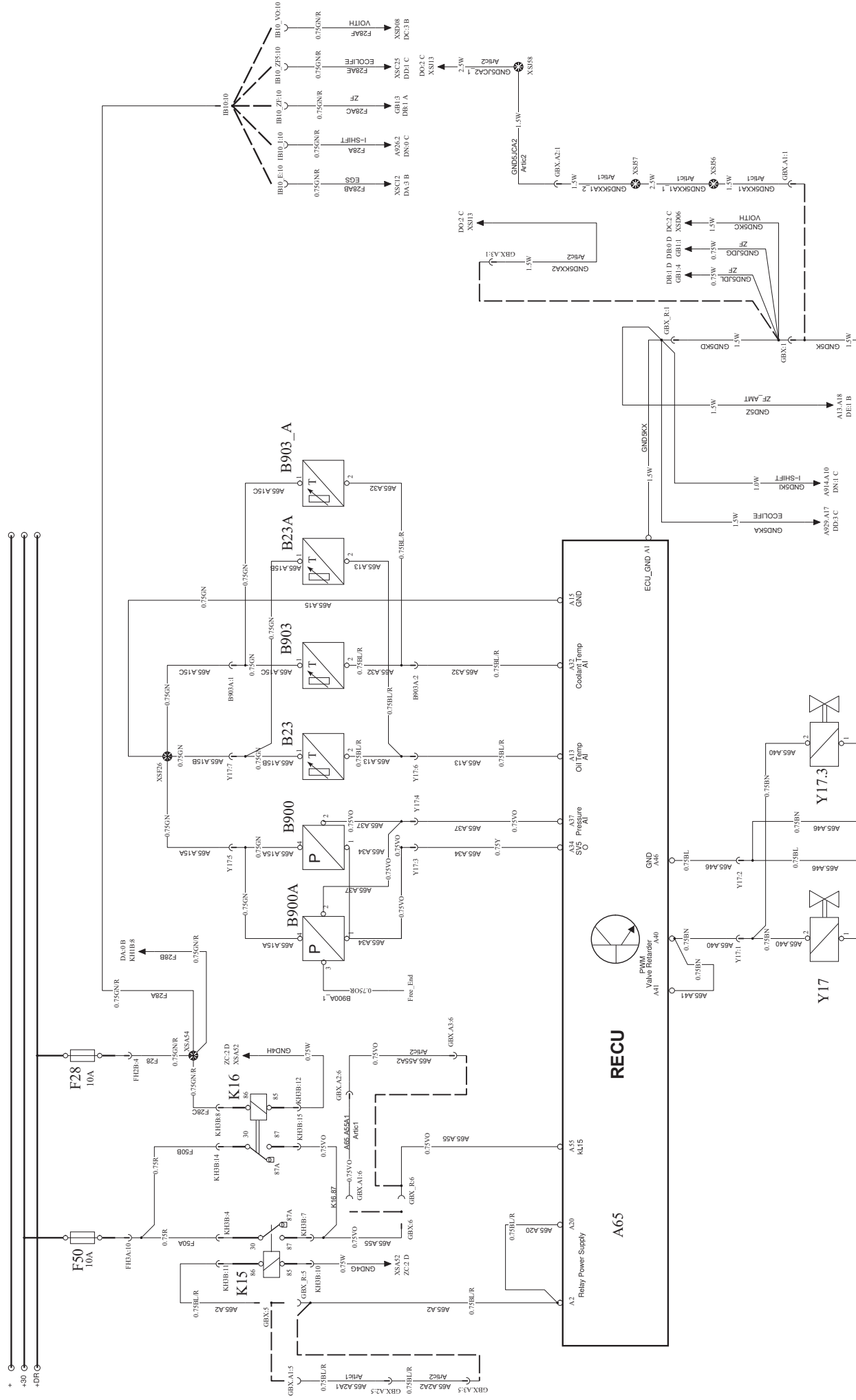
4



Document title WIRING DIAGRAM DE		Document No 20904123	Issue 14	Volume 01(02)	Page 40(74)
Document type PRODUCT SCHEMATIC					

RETARDER

WIRING DIAGRAM DM



Document title
WIRING DIAGRAM DM
 Document type
PRODUCT SCHEMATIC

Document No

20904123

Issue

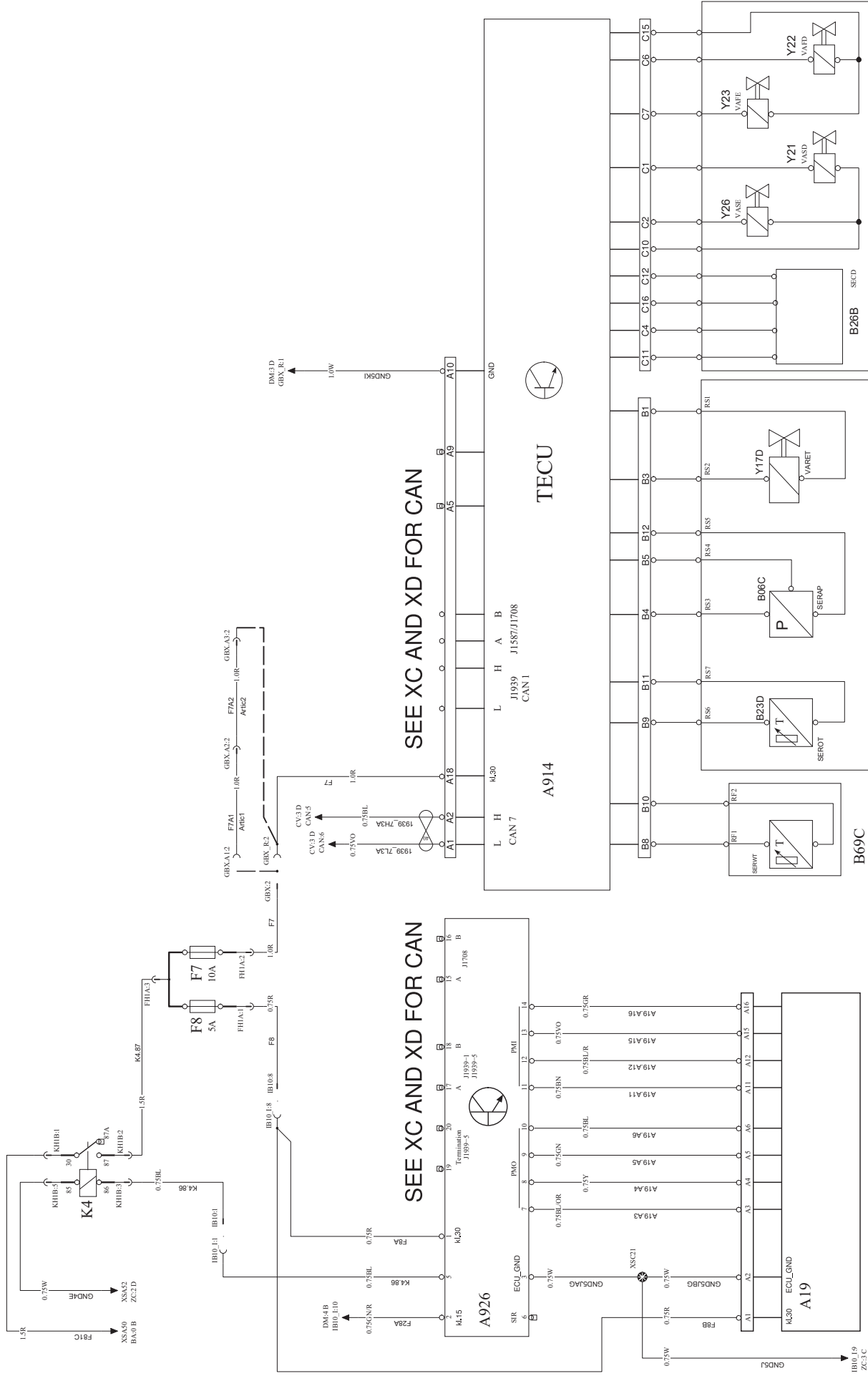
14

Volume

01(02)

Page

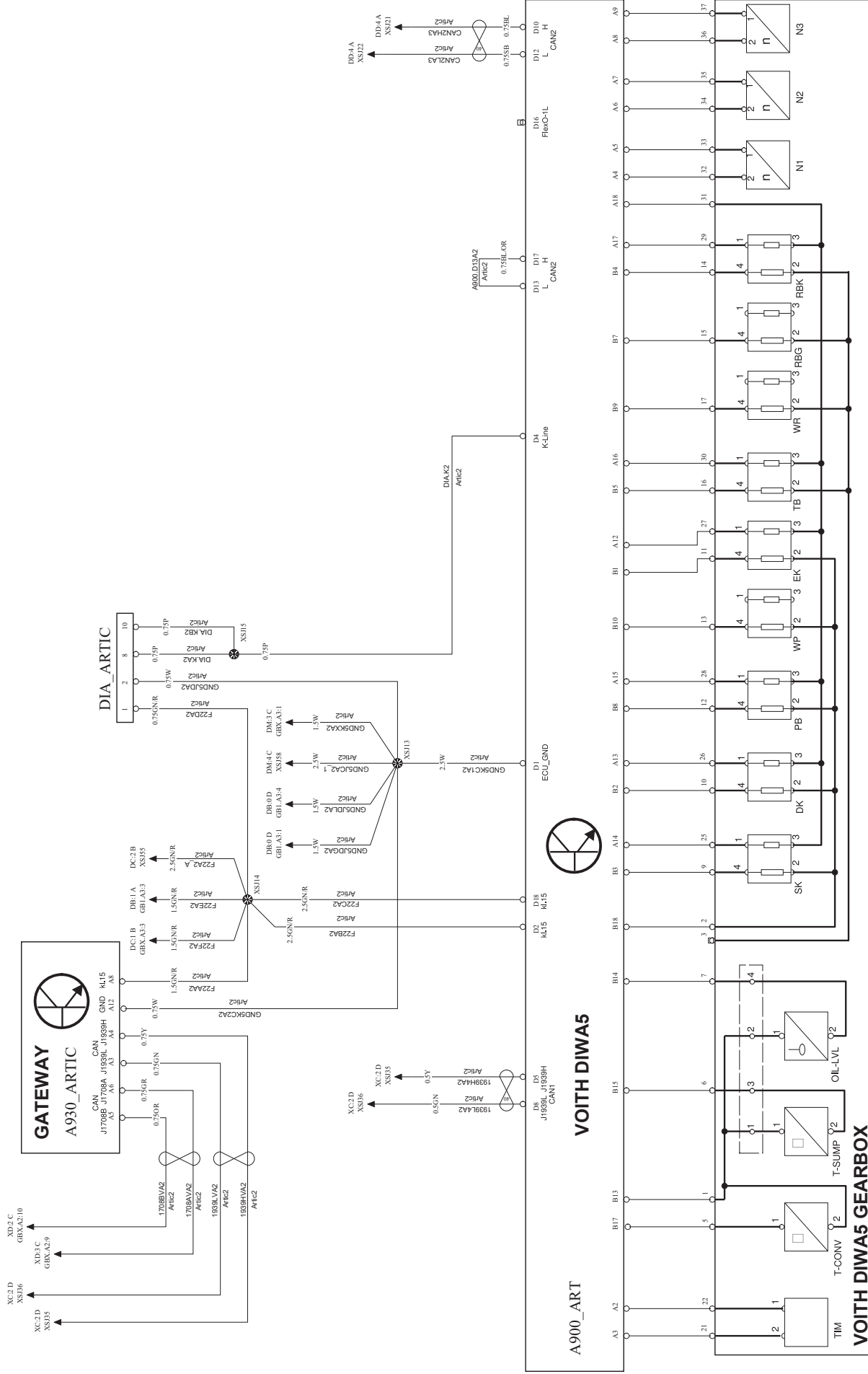
41(74)



SEE XC AND XD FOR CAN

SEE XC AND XD FOR CAN

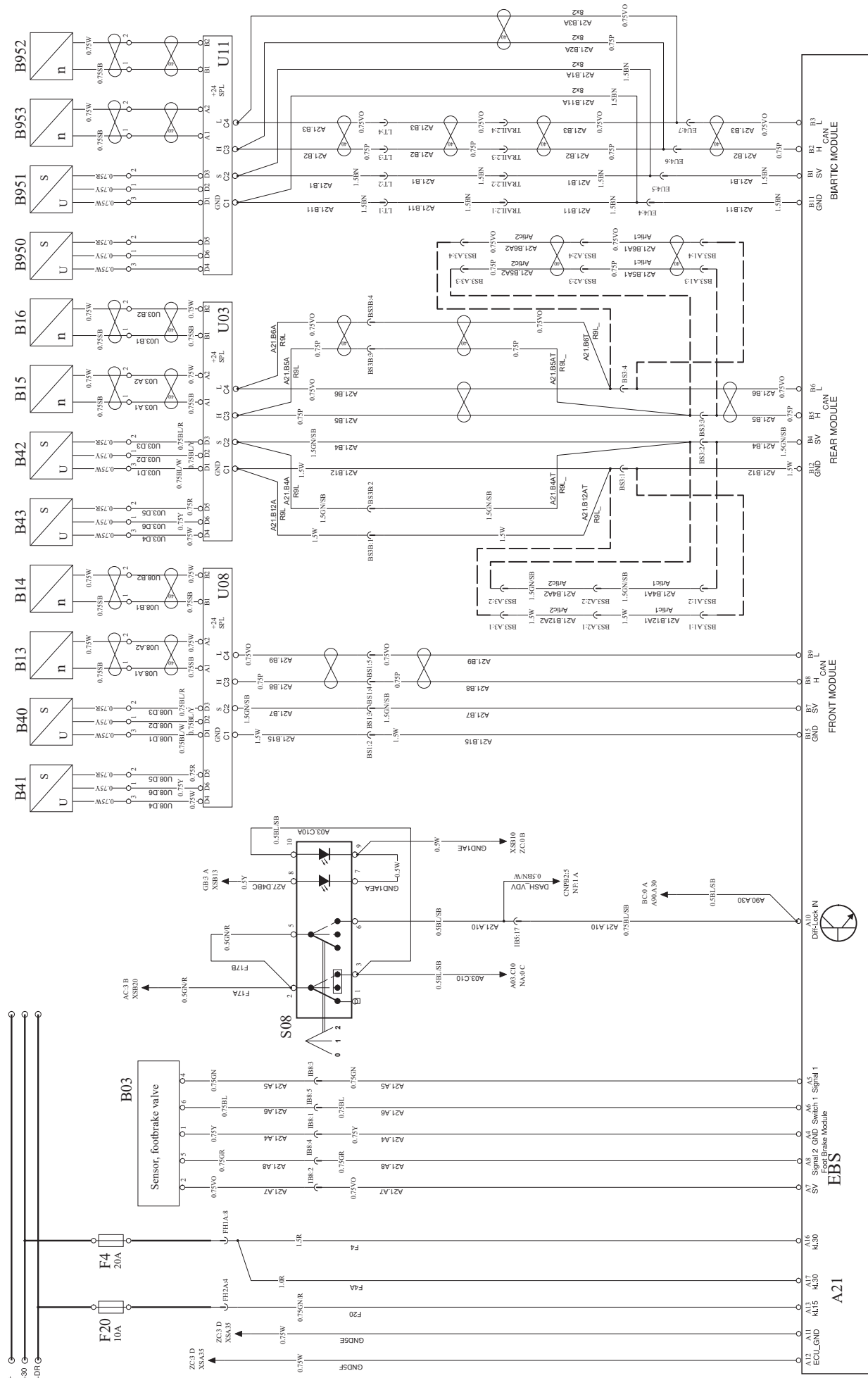
Document title WIRING DIAGRAM DN	Document No 20904123	Issue	Volume	Page
		14	01(02)	42(74)
Document type PRODUCT SCHEMATIC				



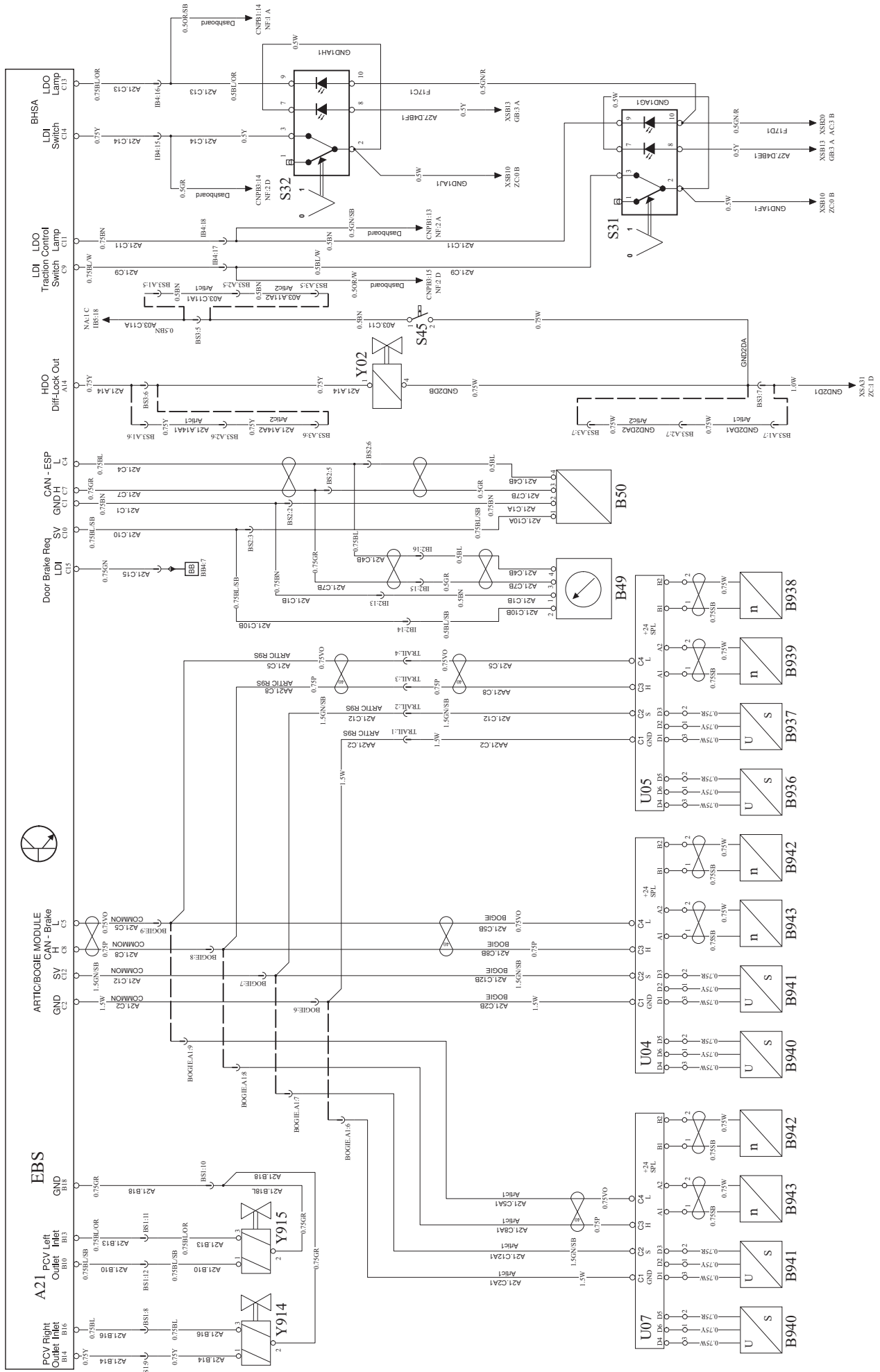
Document title	Document No	Issue	Volume	Page
WIRING DIAGRAM DO	20904123	14	01(02)	43(74)
Document type				
PRODUCT SCHEMATIC				

EBS

WIRING DIAGRAM EO



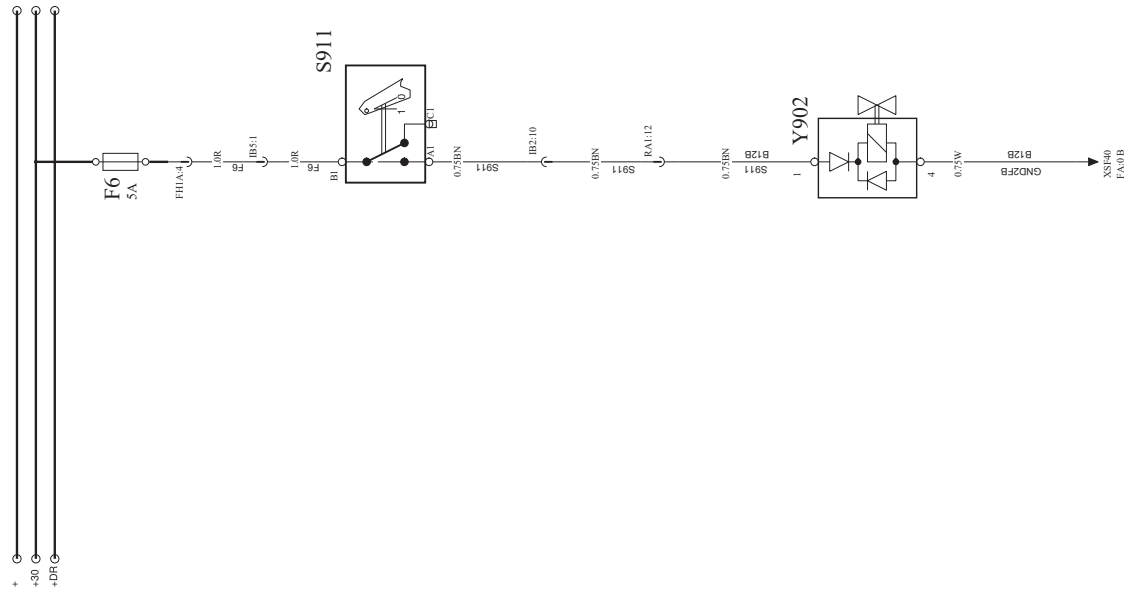
Document title WIRING DIAGRAM EO	Document No 20904123	Issue 14	Volume 01(02)	Page 45(74)
Document type PRODUCT SCHEMATIC				



0	1	2	3	4
WIRING DIAGRAM EP				
Document title WIRING DIAGRAM EP		Document No 20904123		Page 46(74)
Document type PRODUCT SCHEMATIC		Issue 14		Volume 01(02)
0	1	2	3	4

PARKING BRAKE RELEASE

WIRING DIAGRAM EX



A

B

C

D

E

0

1

2

3

4

Document title WIRING DIAGRAM EX		Document No 20904123	Issue 14	Volume 01(02)	Page 47(74)
Document type PRODUCT SCHEMATIC					

0

1

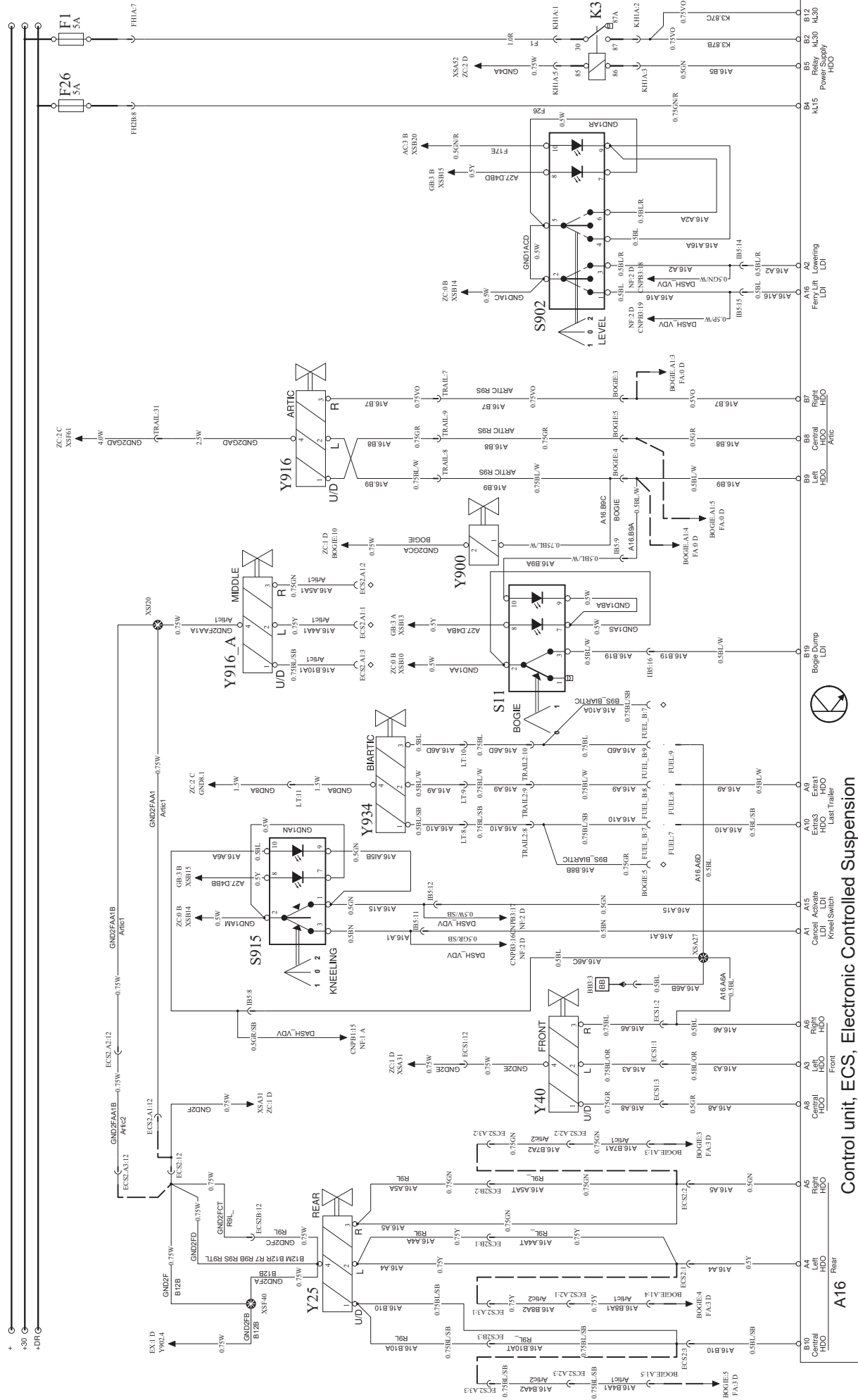
2

3

4

AIR SUSPENSION ECS

WIRING DIAGRAM FA



Control unit, ECS, Electronic Controlled Suspension

Document title
WIRING DIAGRAM FA

Document type
PRODUCT SCHEMATIC

Document No

20904123

Issue

14

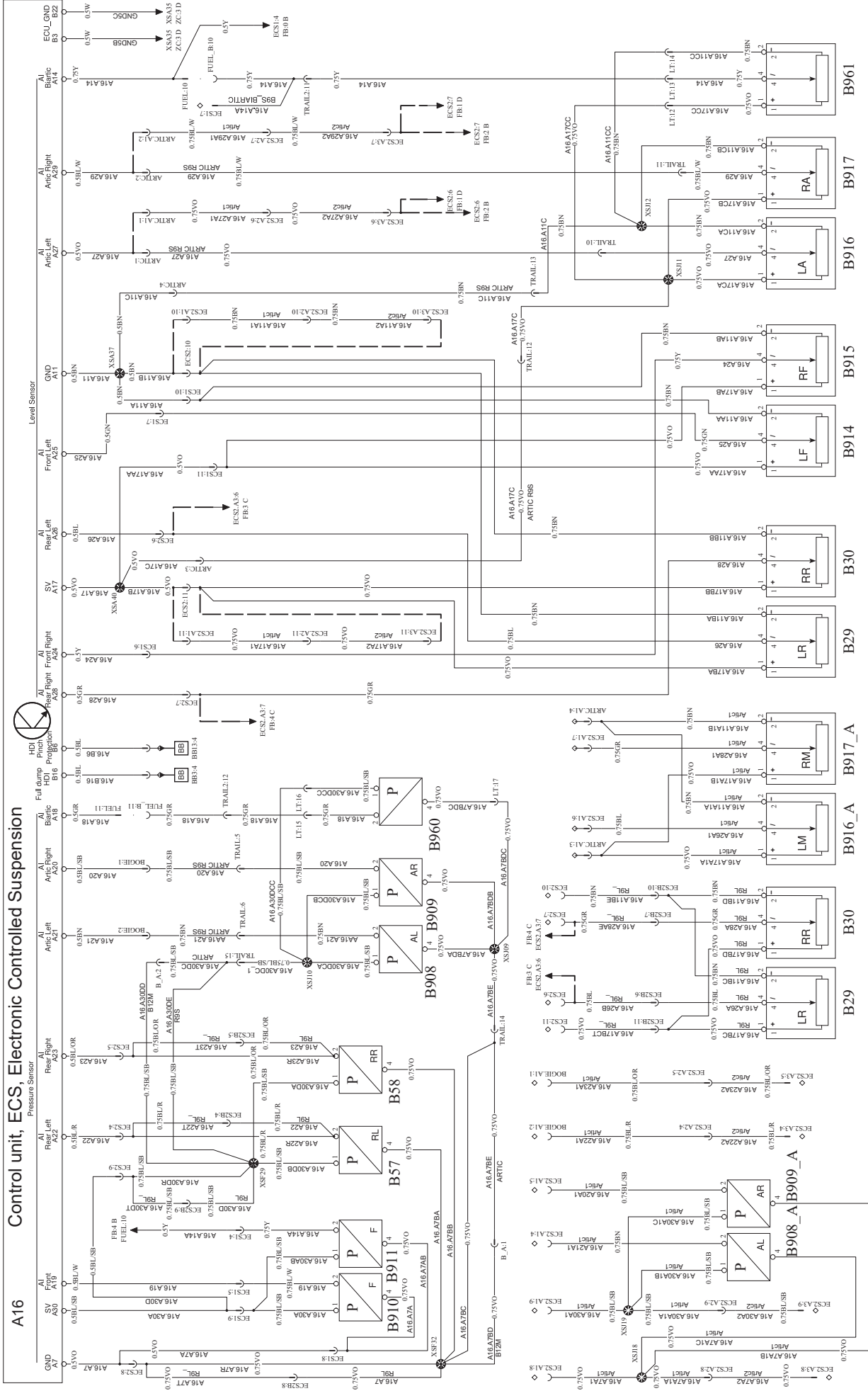
Volume

01(02)

Page

48(74)

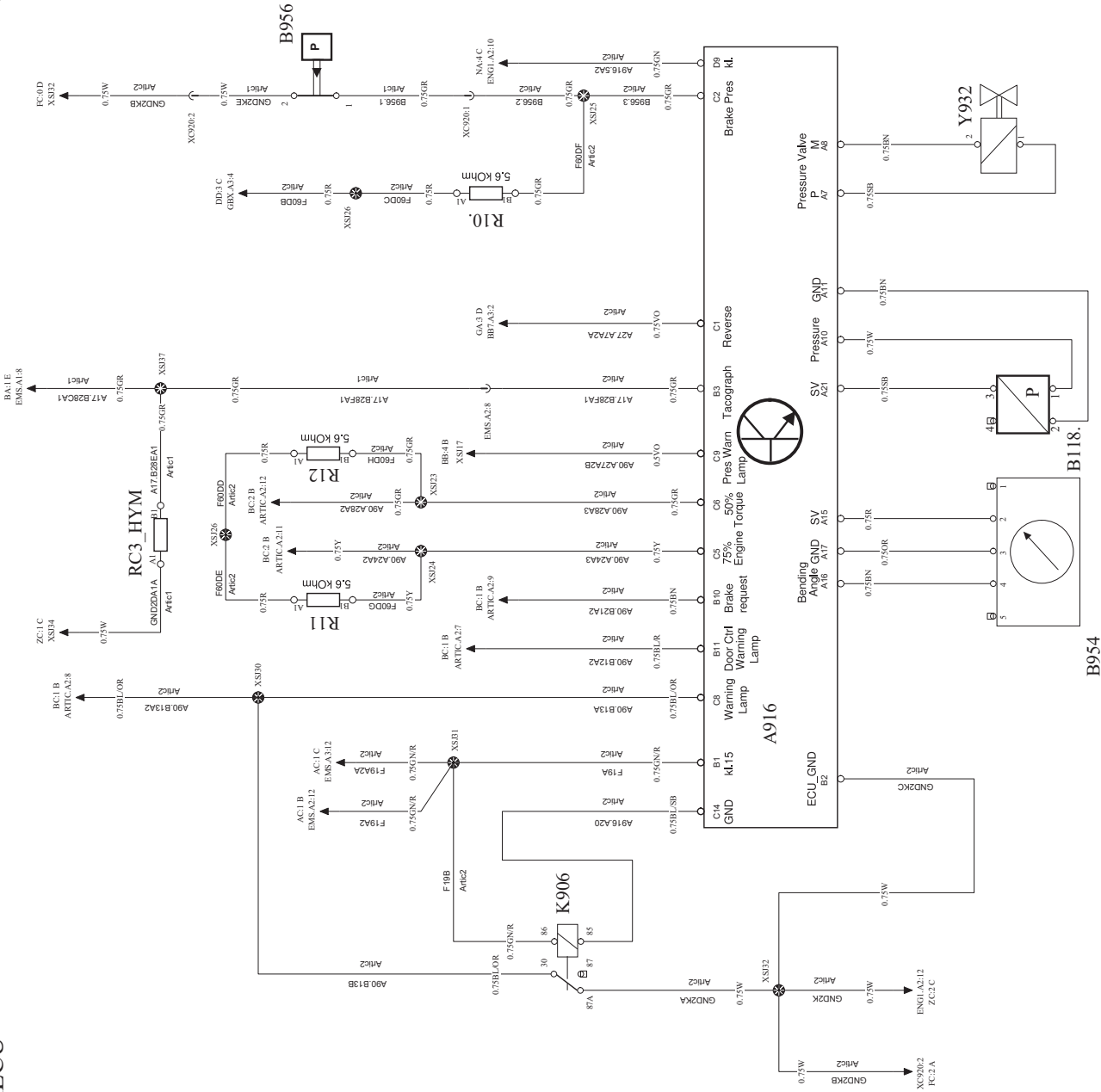
Control unit, ECS, Electronic Controlled Suspension



Document title	WIRING DIAGRAM FB
Document type	PRODUCT SCHEMATIC

Document No	20904123
Issue	14

Volume	01(02)
Page	49(74)

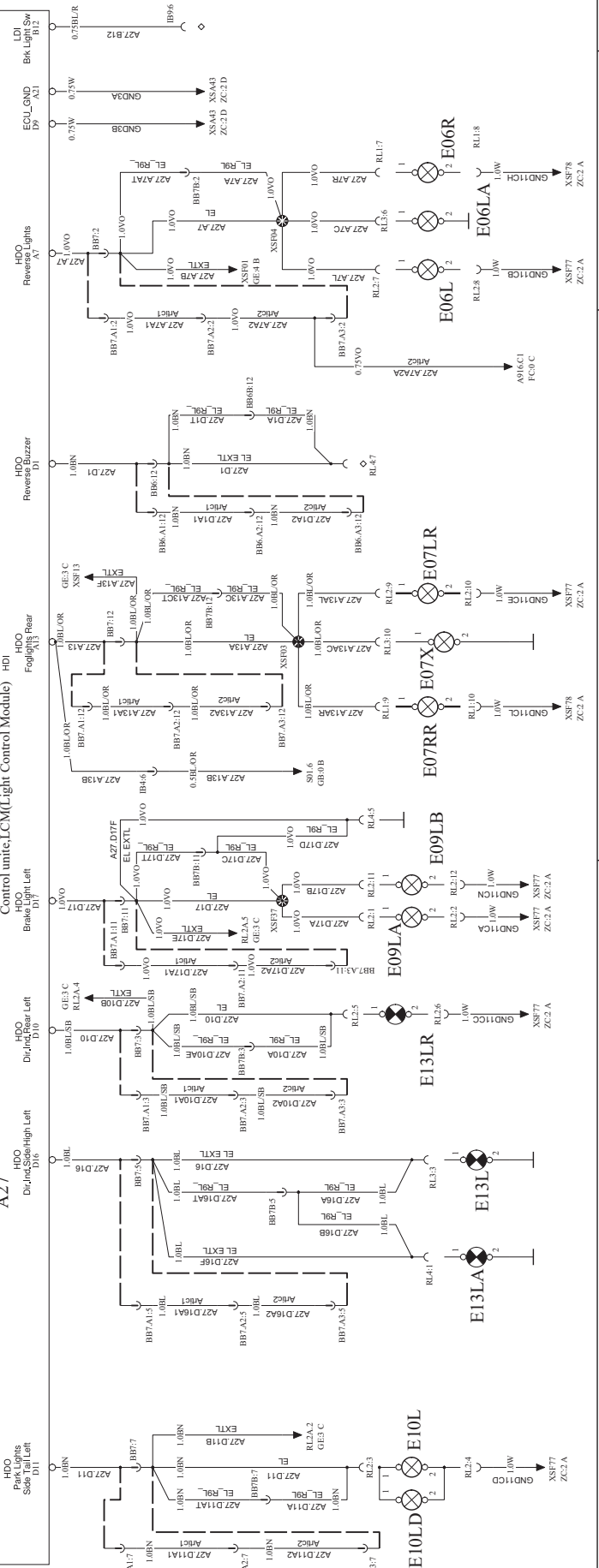
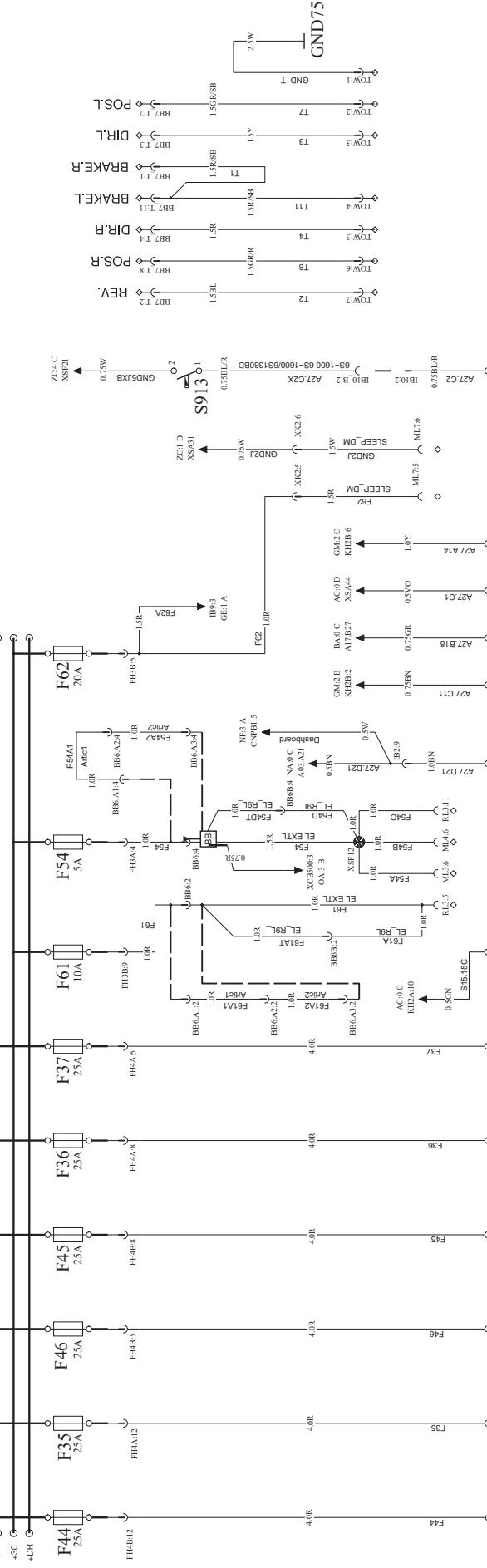


Document title WIRING DIAGRAM FC		Document No 20904123	Issue 14	Volume 01(02)	Page 50(74)
Document type PRODUCT SCHEMATIC					

LCM

REAR LIGHTS

WIRING DIAGRAM GA

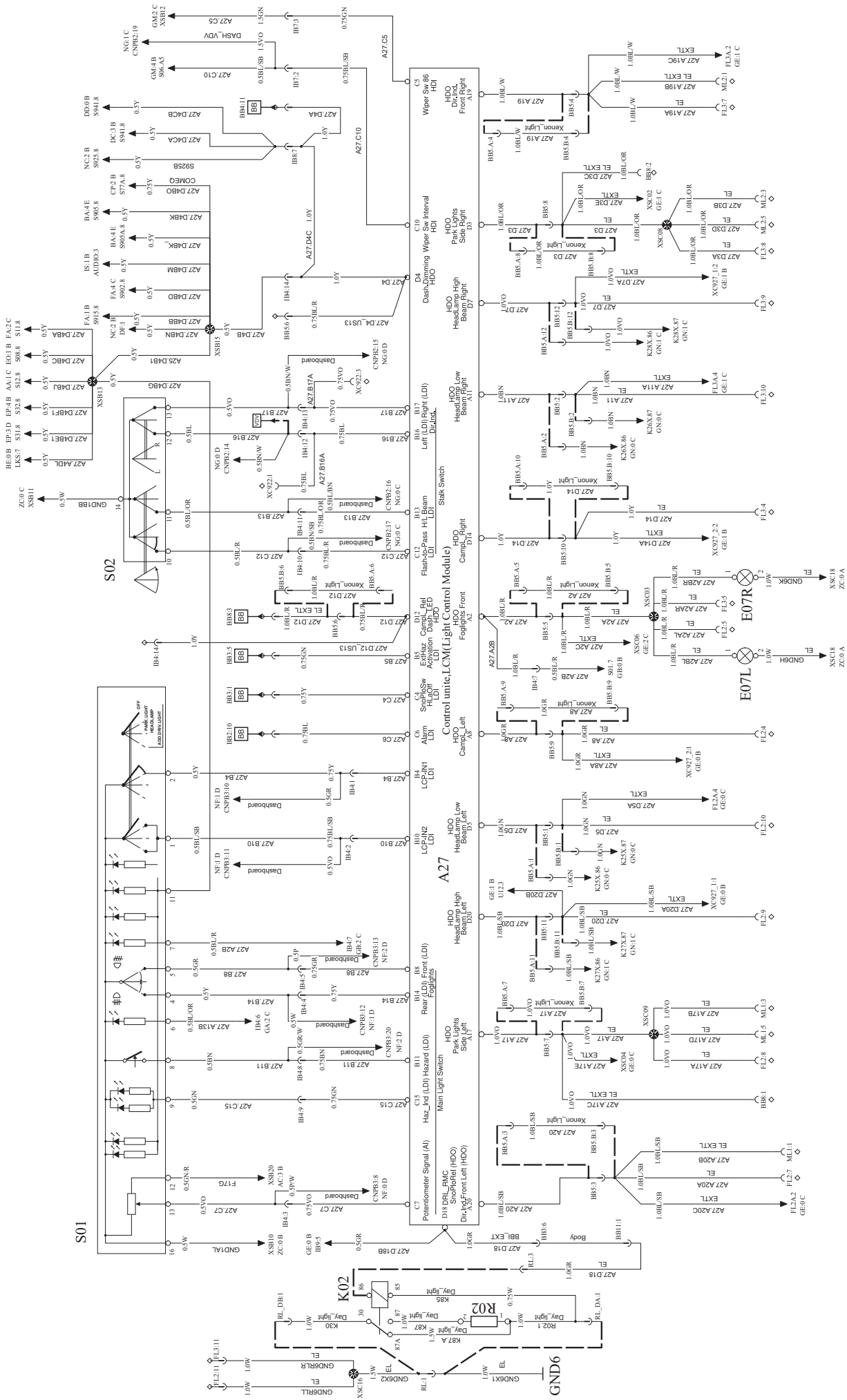


Document title	WIRING DIAGRAM GA	Document No	20904123	Issue	14	Volume	01(02)	Page	52(74)
Document type	PRODUCT SCHEMATIC								

LCM

FRONT LIGHTS

WIRING DIAGRAM GB



Document title	WIRING DIAGRAM GB
Document type	PRODUCT SCHEMATIC

Document No	20904123
Issue	14
Volume	01(02)
Page	53(74)

