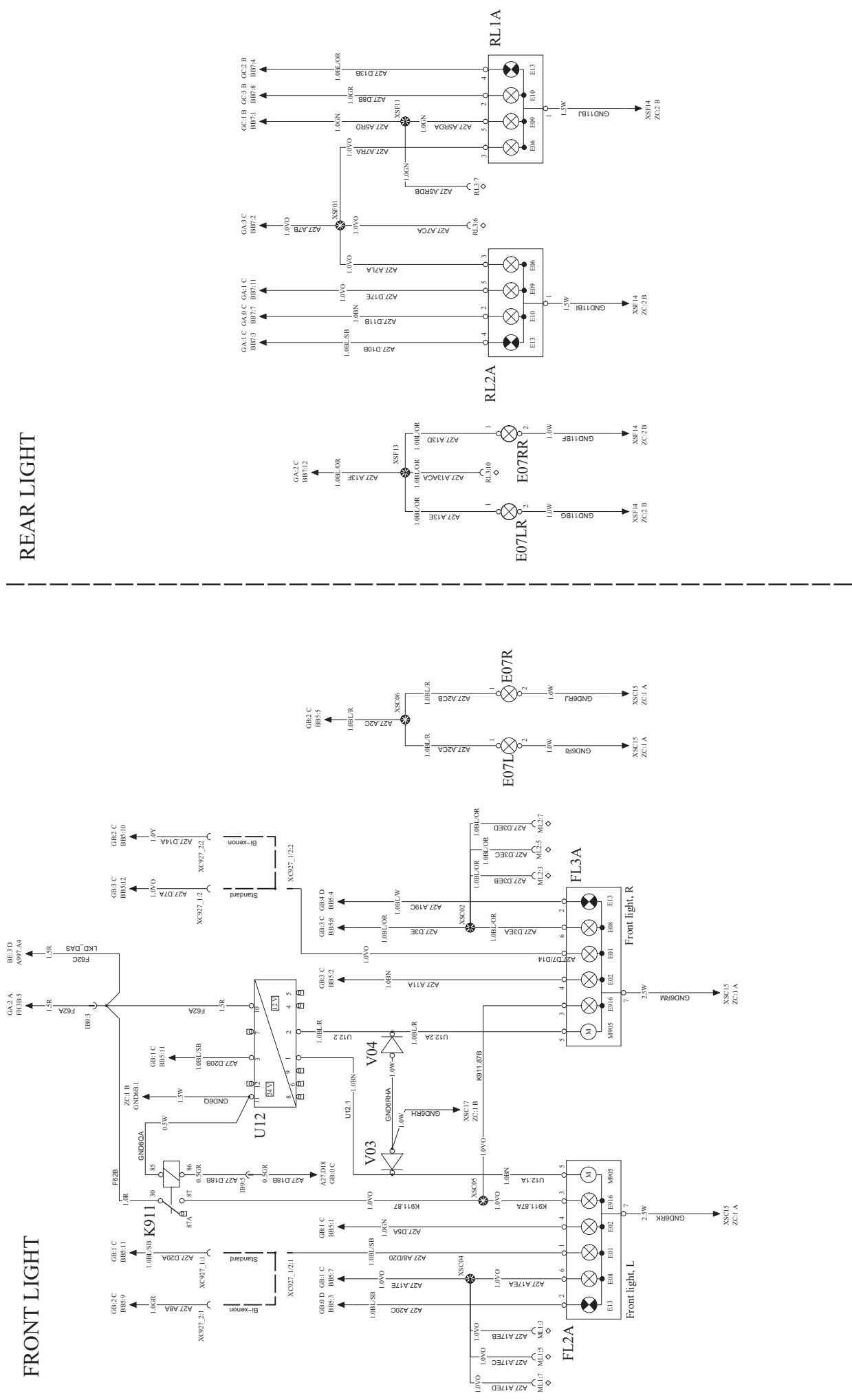


Document title WIRING DIAGRAM GD	Document No 20904123	Issue 14	Volume 01(02)	Page 55(74)
Document type PRODUCT SCHEMATIC				

FRONT LIGHT

REAR LIGHT



Document title WIRING DIAGRAM GE	Document No 20904123	Issue 14	Volume 01(02)	Page 56(74)
Document type PRODUCT SCHEMATIC				

LCM, BIARTIC LIGHTS

WIRING DIAGRAM GF

A

A

B

B

C

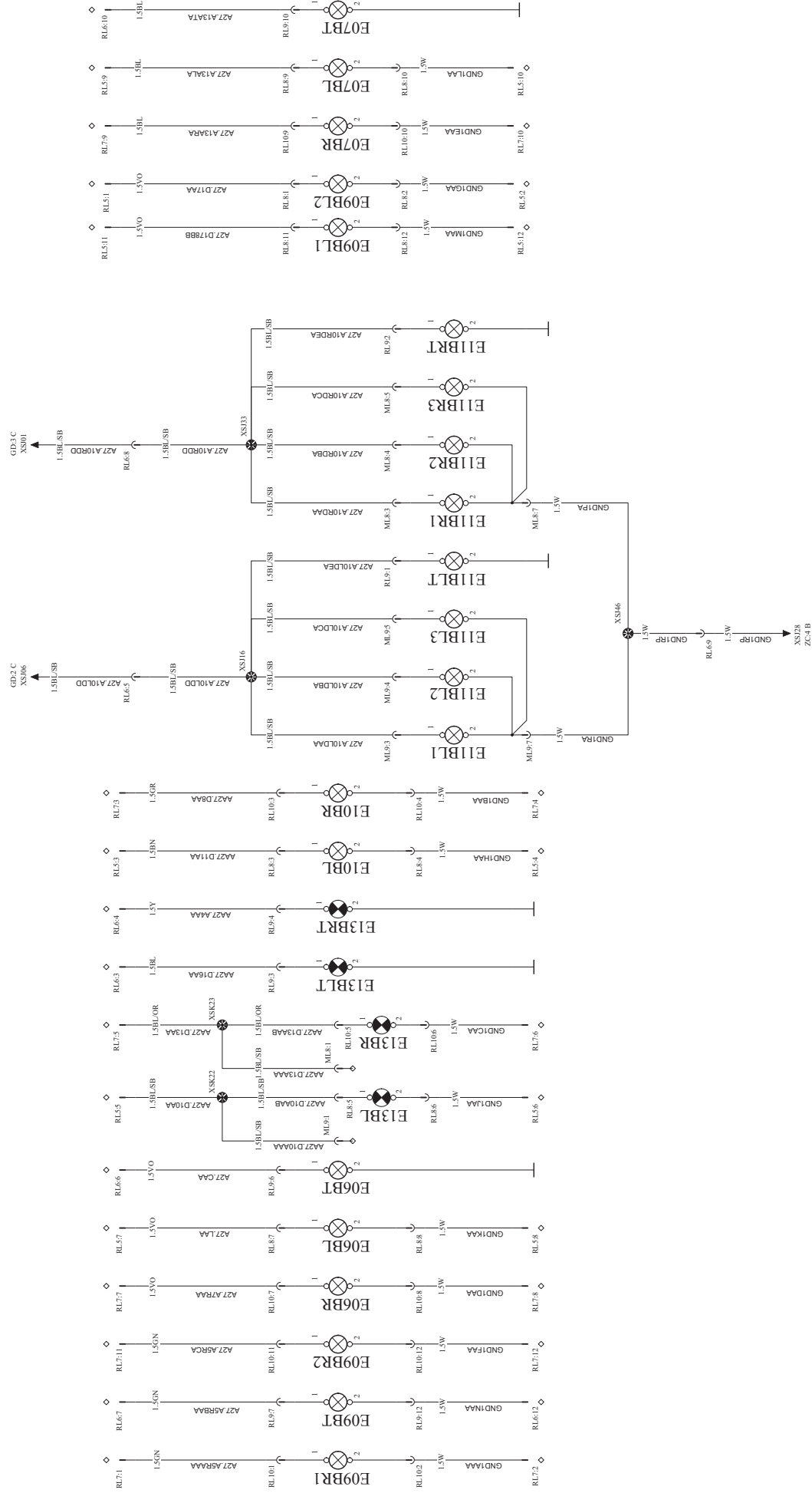
C

D

D

E

E



Document title
WIRING DIAGRAM GF

Document type
PRODUCT SCHEMATIC

Document No

20904123

Issue

14

Volume

01(02)

Page

57(74)

0

0

1

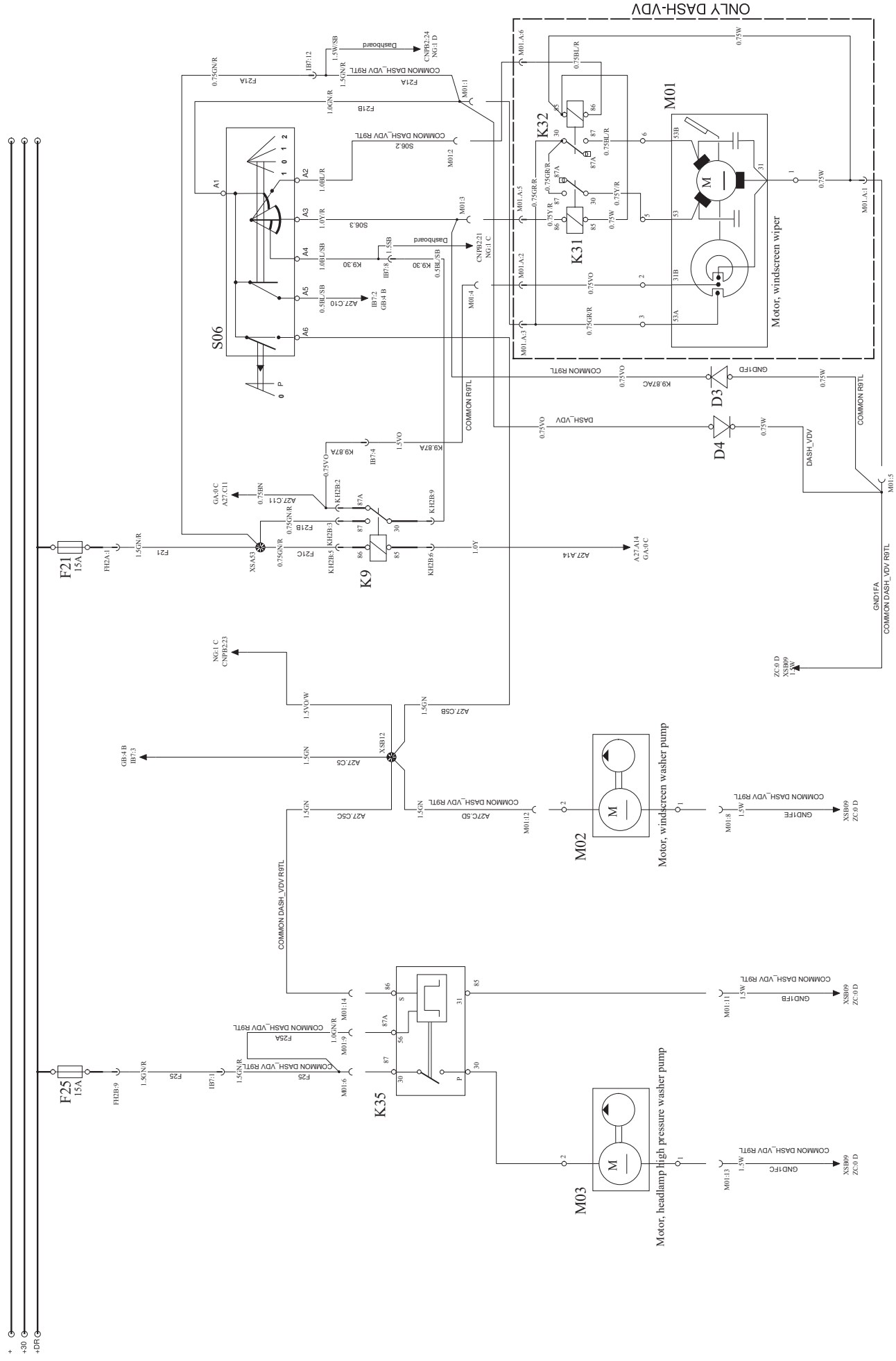
2

3

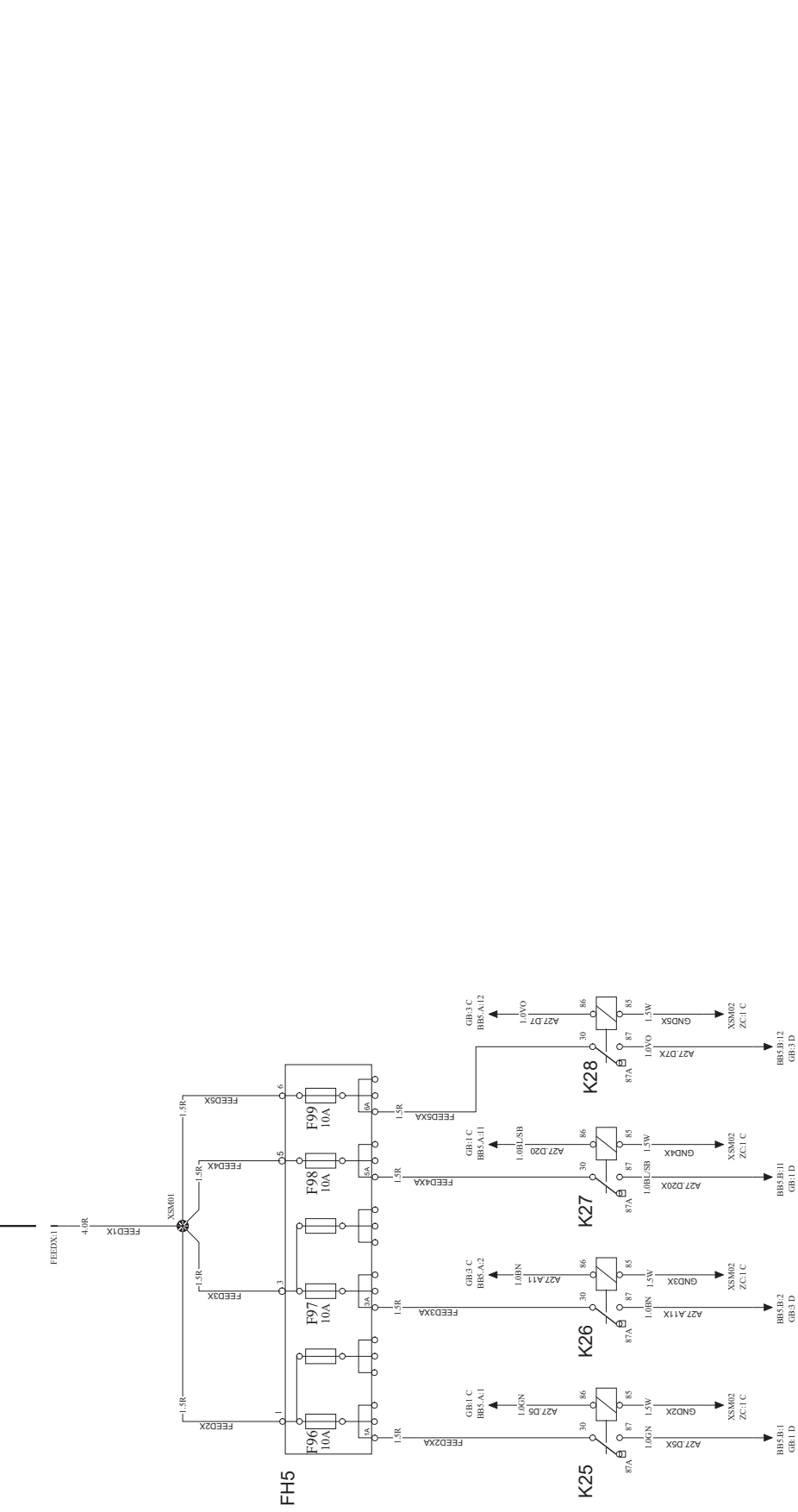
4

WIPER, WASHER

WIRING DIAGRAM GM



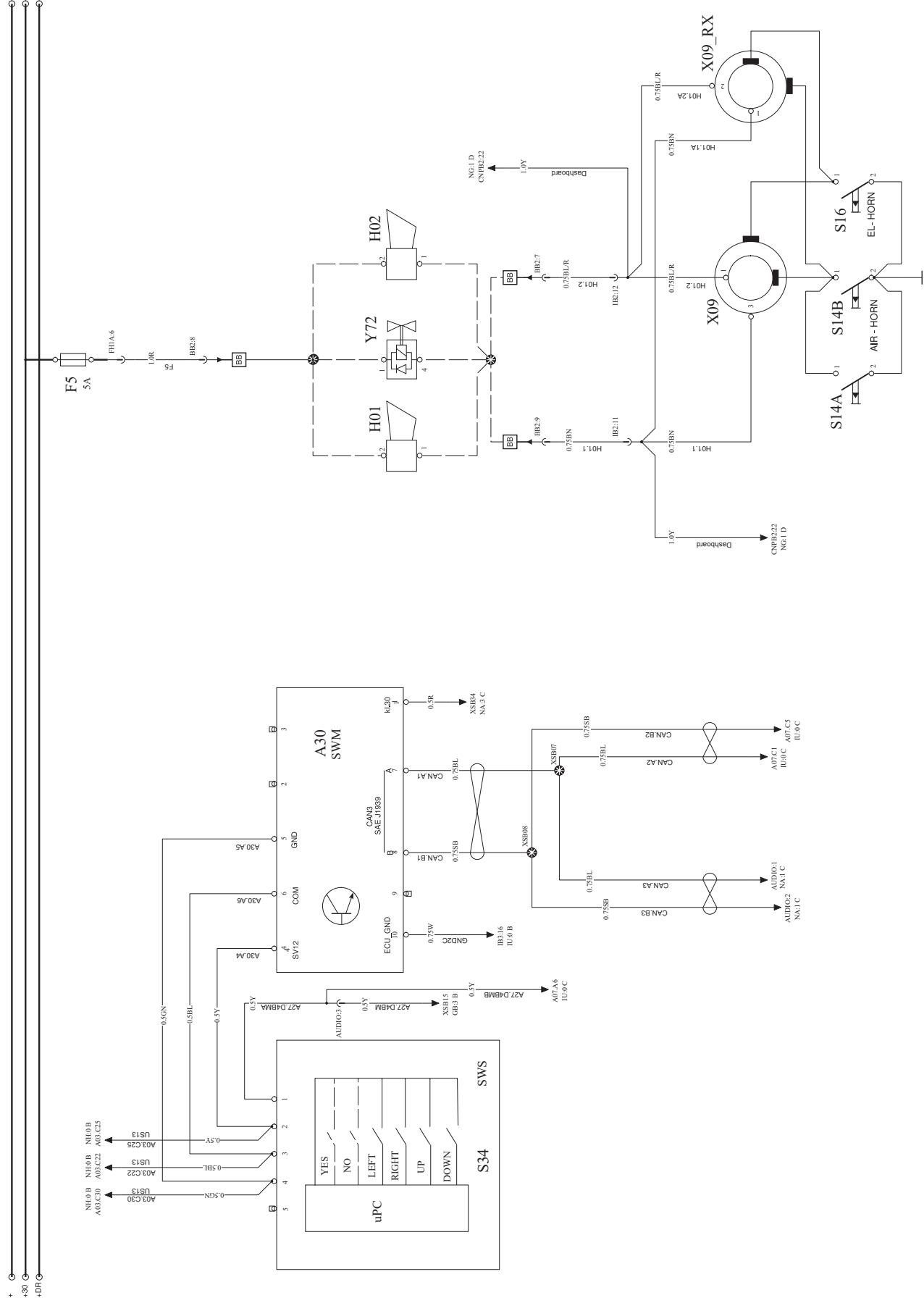
Document title	Document No	Issue	Volume	Page
WIRING DIAGRAM GM	20904123	14	01(02)	58(74)
Document type	PRODUCT SCHEMATIC			



Document title WIRING DIAGRAM GN		Document No 20904123	Issue 14	Volume 01(02)	Page 59(74)
Document type PRODUCT SCHEMATIC				3	4
				2	4
				1	4
				0	4

HORN, SWM

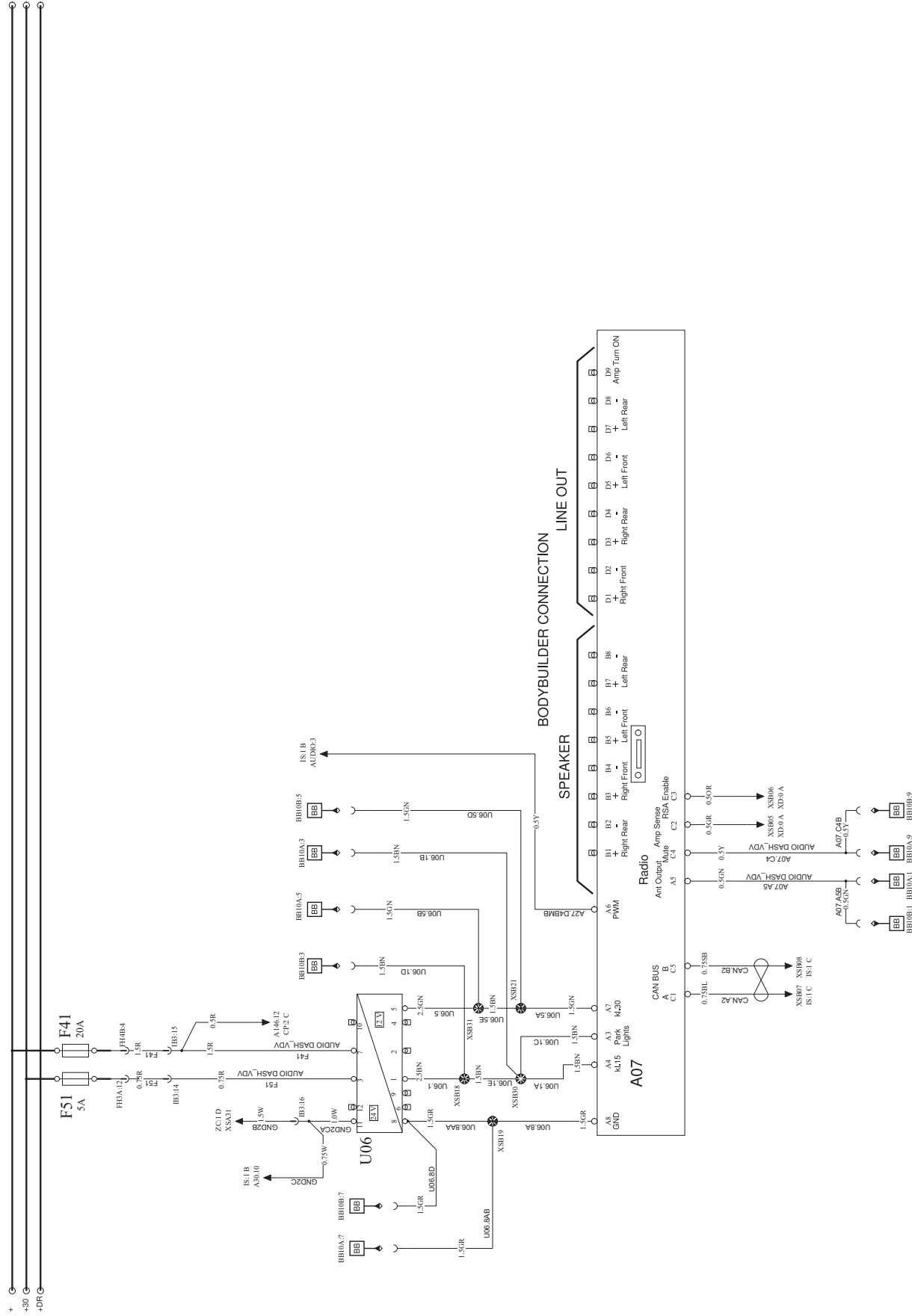
WIRING DIAGRAM IS



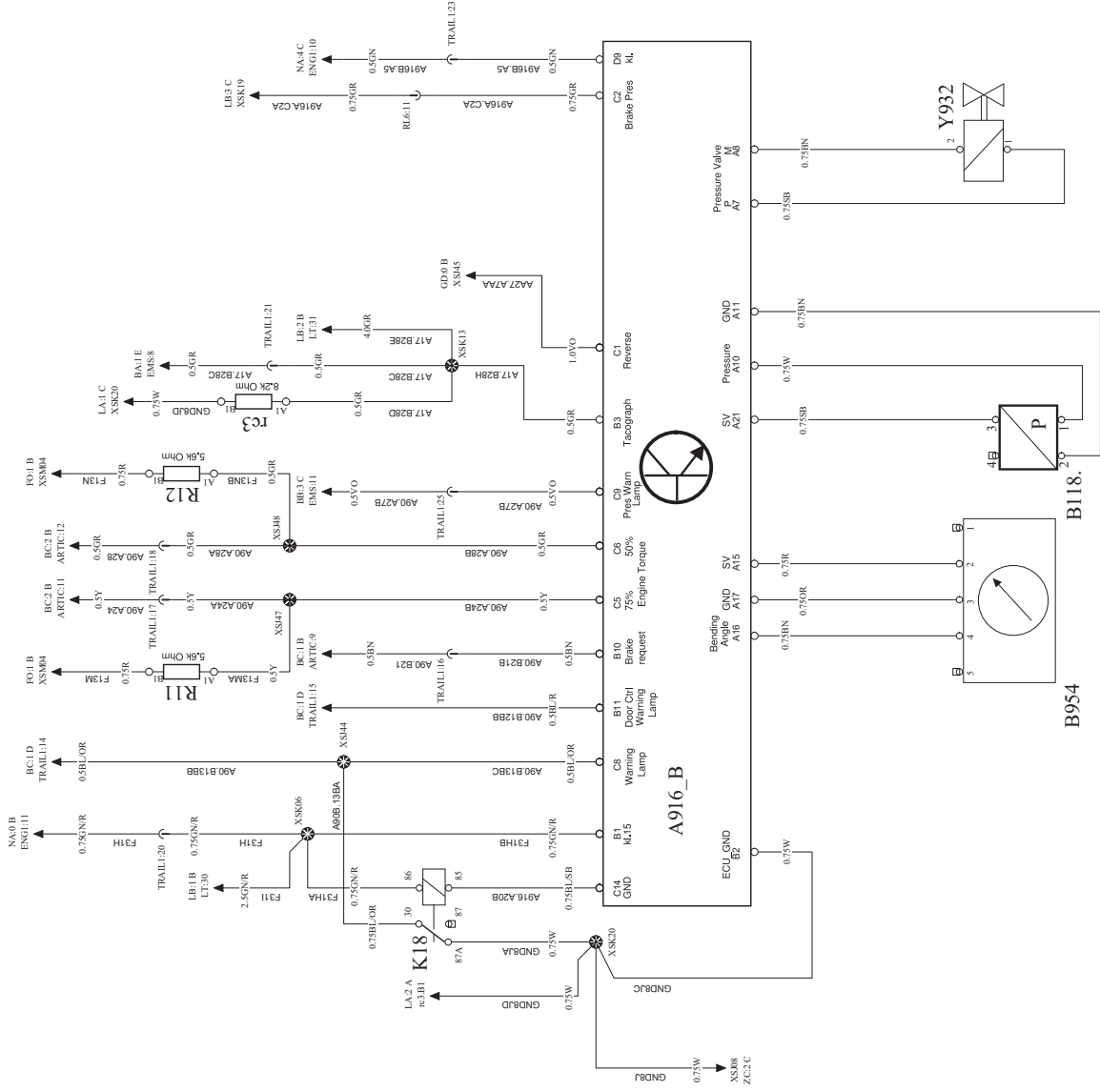
Document title	Document No	Issue	Volume	Page
WIRING DIAGRAM IS	20904123	14	01(02)	60(74)
Document type	PRODUCT SCHEMATIC			

AUDIO

WIRING DIAGRAM IU



0	1	2	3	4
WIRING DIAGRAM IU				
PRODUCT SCHEMATIC				
Document No		Document No		Page
20904123		20904123		61(74)
Document title		Document No		Page
WIRING DIAGRAM IU		20904123		61(74)
Document type		Document No		Page
PRODUCT SCHEMATIC		20904123		61(74)



Document title
WIRING DIAGRAM LA

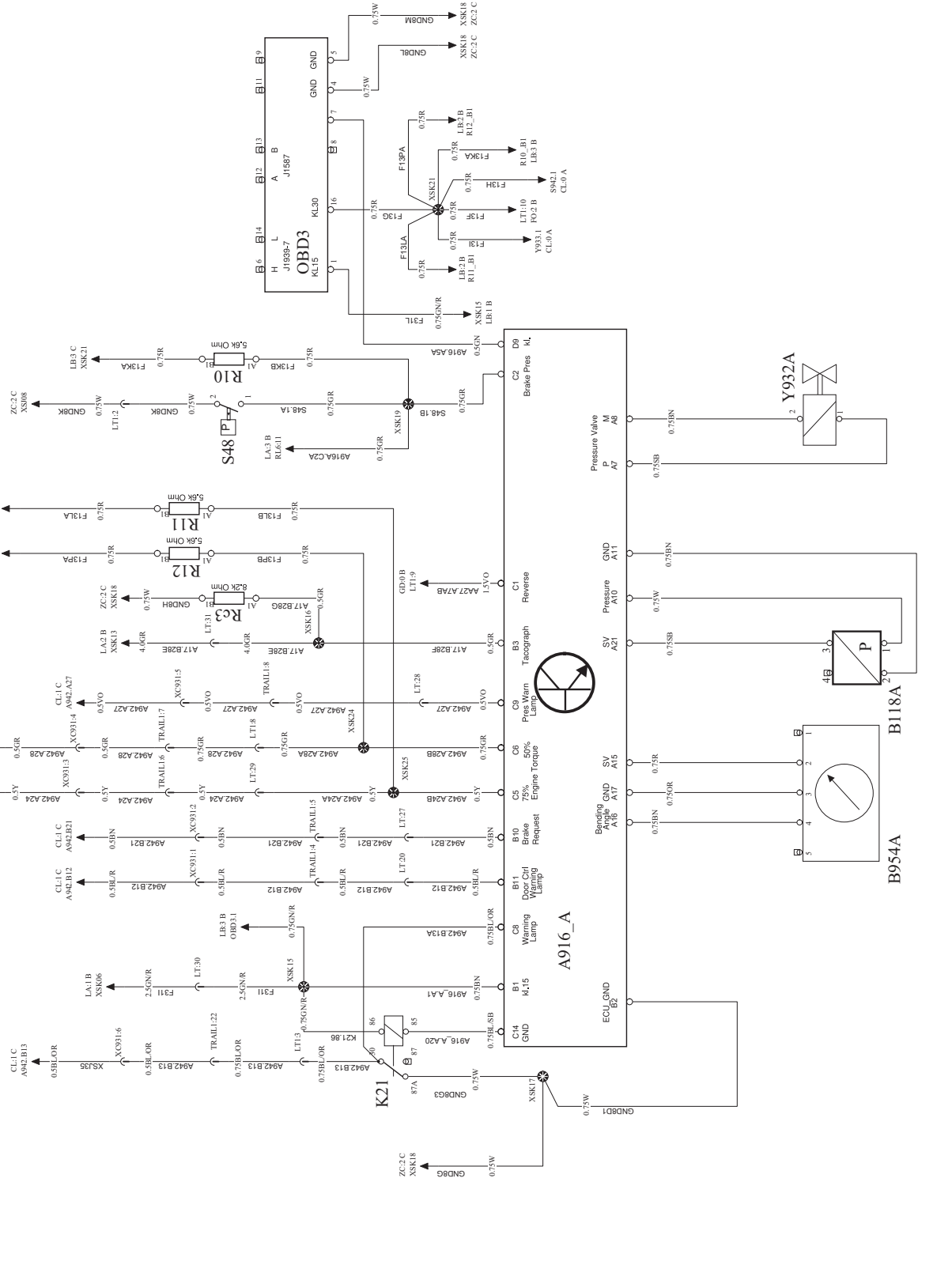
Document type
PRODUCT SCHEMATIC

Document No
20904123

Issue
14

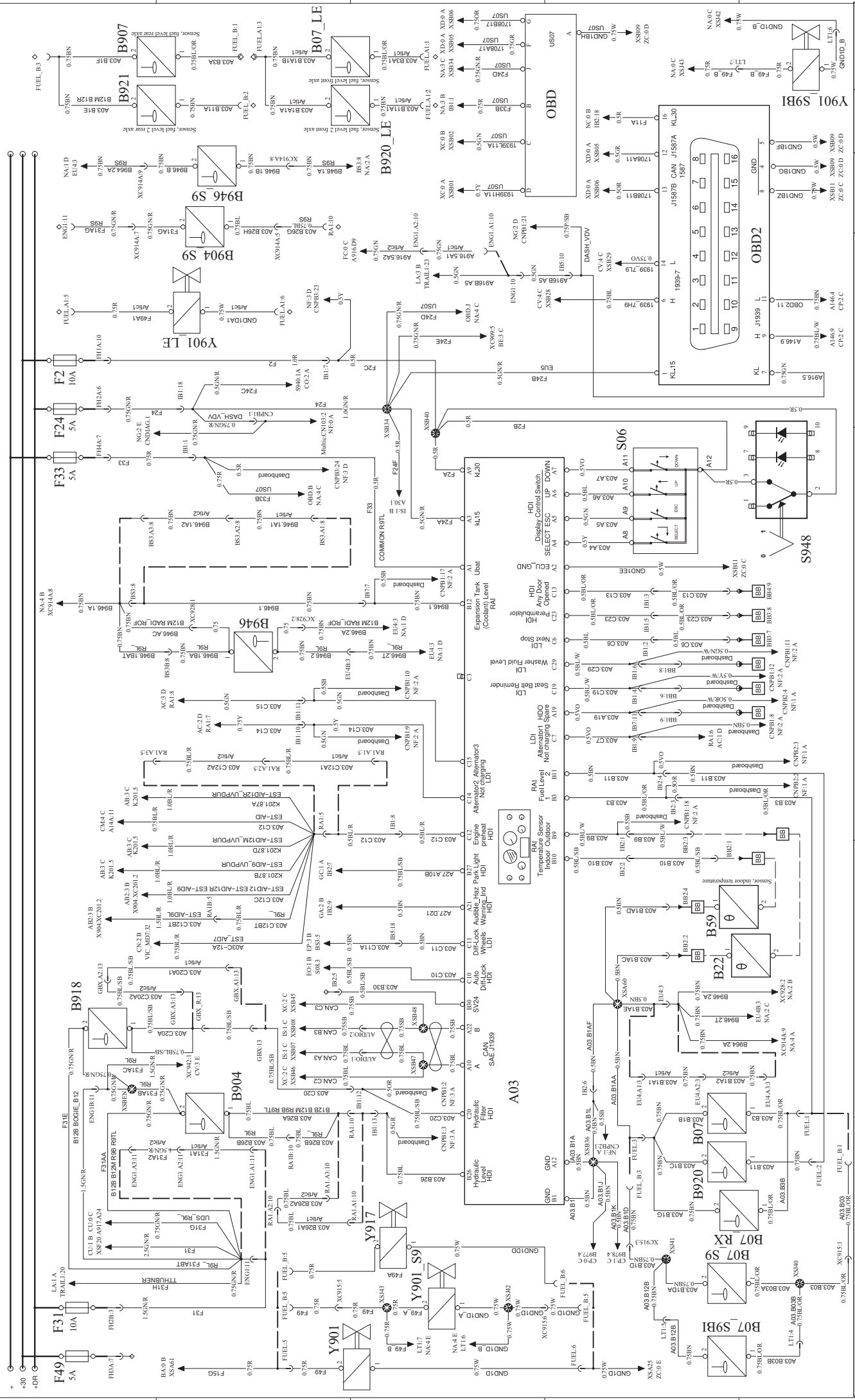
Volume
01(02)

Page
62(74)



BUS INSTRUMENT CLUSTER BIC2

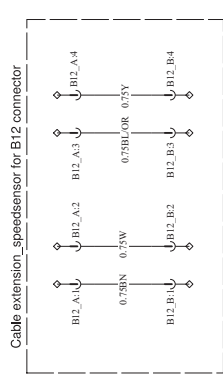
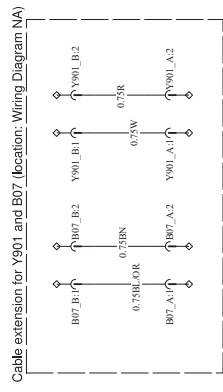
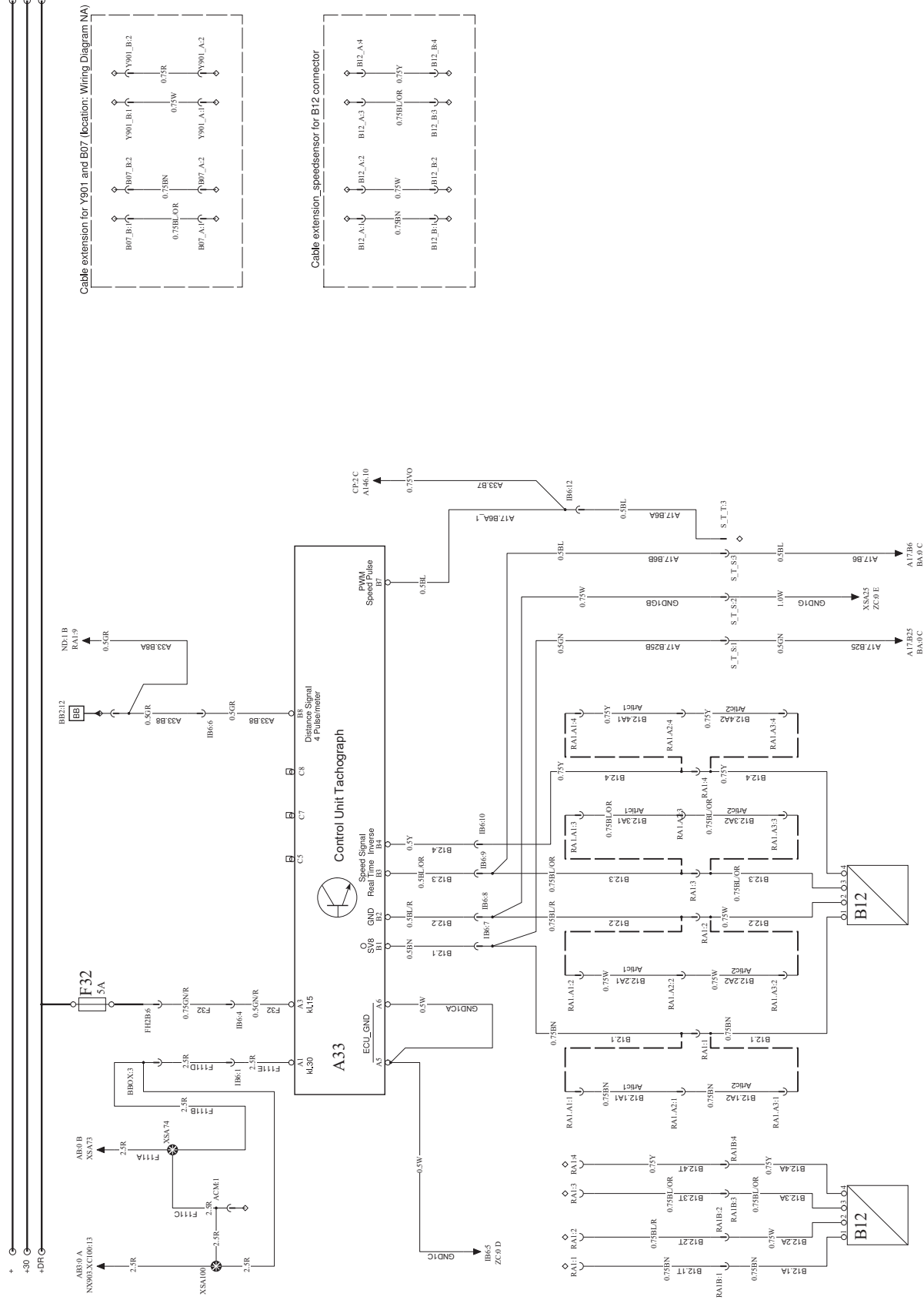
WIRING DIAGRAM NA



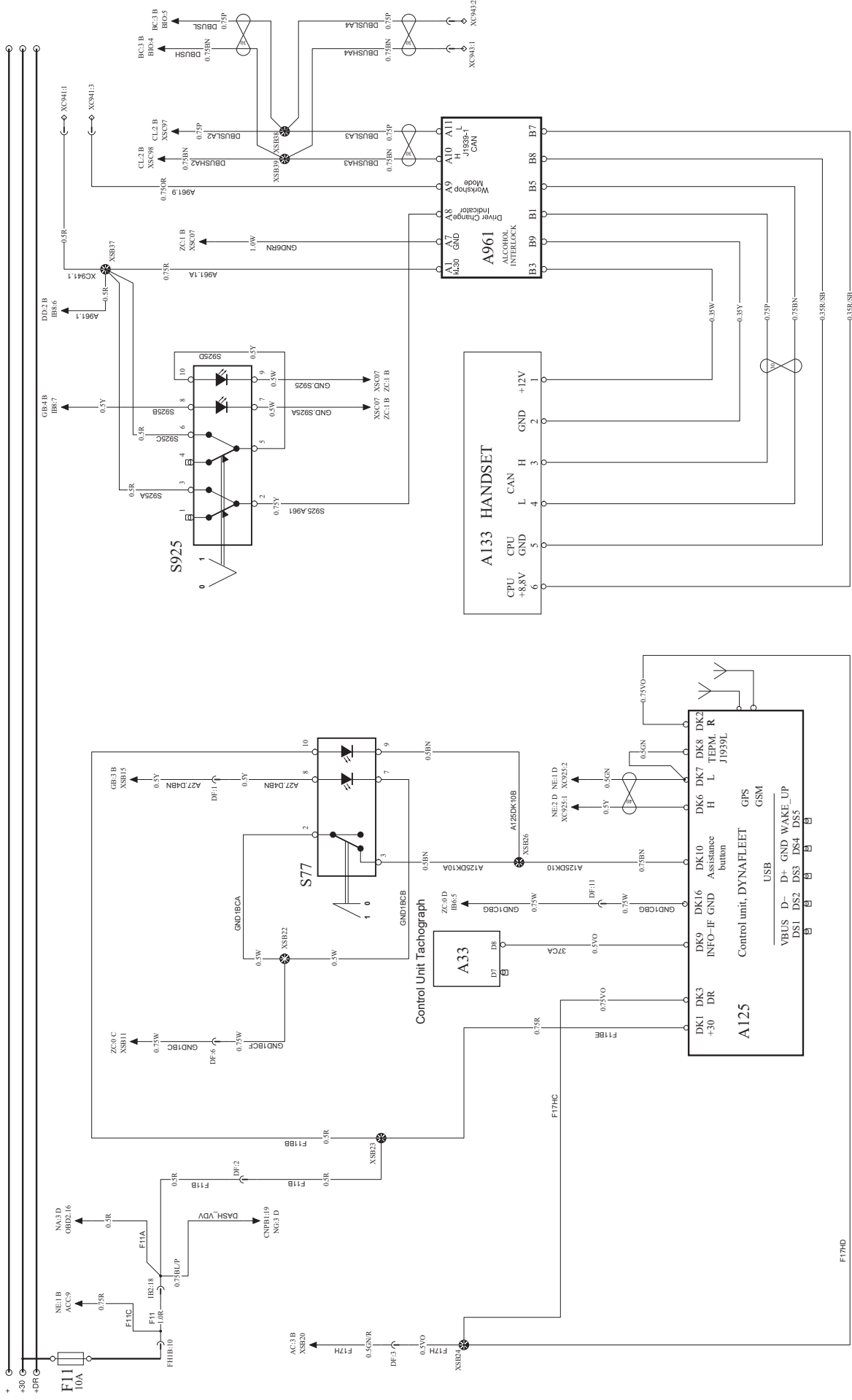
0	1	2	3	4
A	B	C	D	E
WIRING DIAGRAM NA				
PRODUCT SCHEMATIC				
Document title			Document No	Page
WIRING DIAGRAM NA			20904123	64(74)
Document type			Issue	Volume
PRODUCT SCHEMATIC			14	01(02)

TACHOGRAPH

WIRING DIAGRAM NB

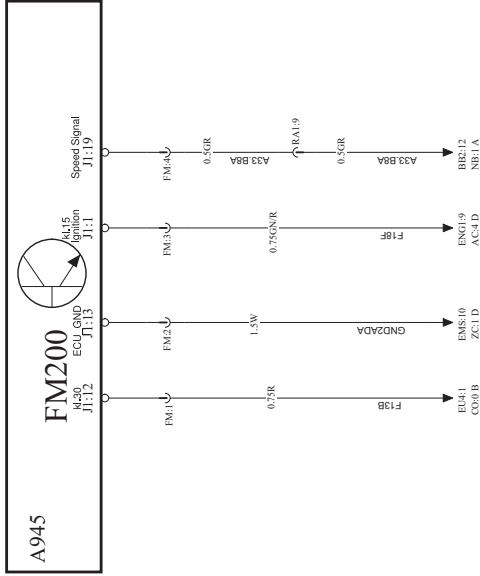


Document title	Document No	Issue	Volume	Page
WIRING DIAGRAM NB	20904123	14	01(02)	65(74)
PRODUCT SCHEMATIC				



0	1	2	3	4
Document title WIRING DIAGRAM NC				
Document type PRODUCT SCHEMATIC				

Document No 20904123		Issue 14	Volume 01(02)	Page 66(74)
--------------------------------	--	--------------------	-------------------------	-----------------------



A

B

C

D

E

0

1

2

3

4

Document title WIRING DIAGRAM ND		Document No 20904123	Issue 14	Volume 01(02)	Page 67(74)
Document type PRODUCT SCHEMATIC					

0

1

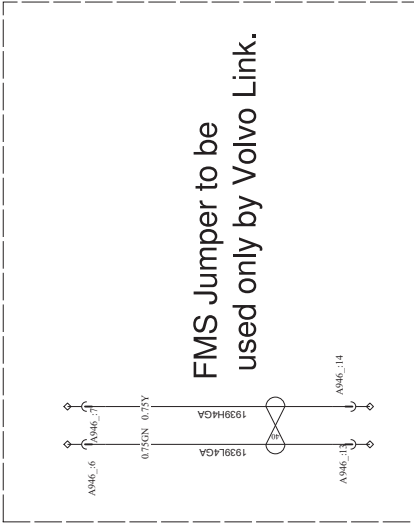
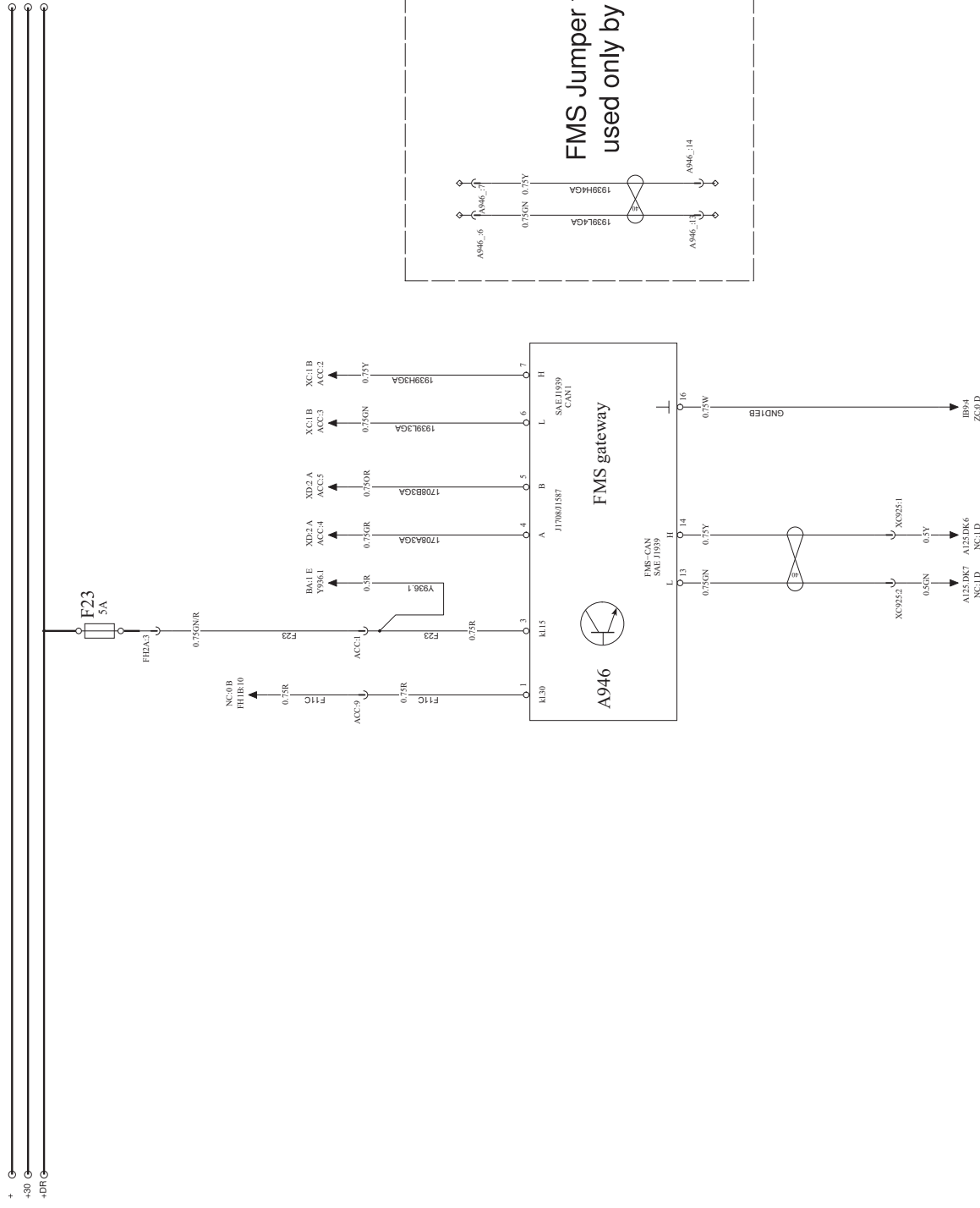
2

3

4

FMS GATEWAY

WIRING DIAGRAM NE



0 1 2 3 4

A B C D E

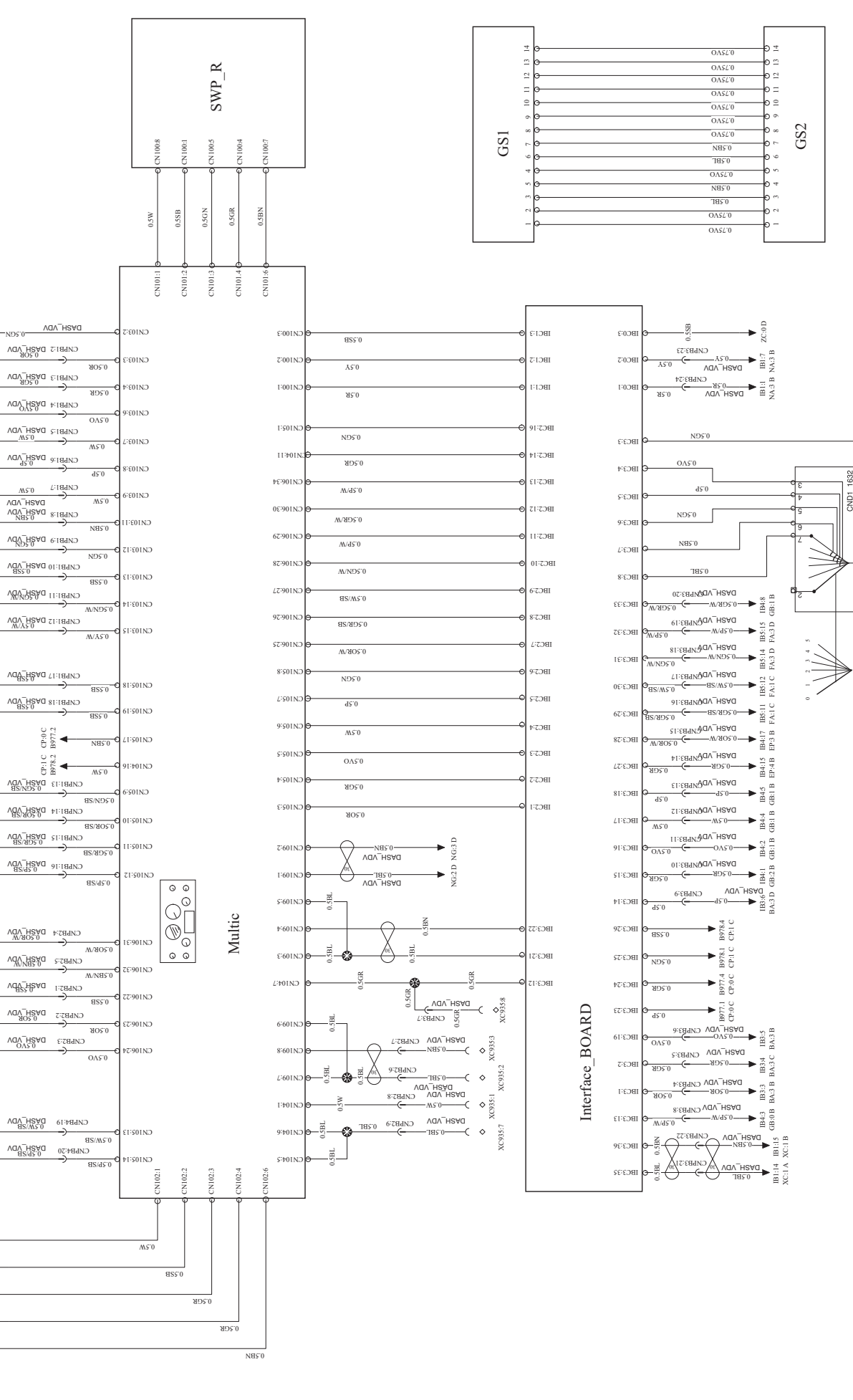
Document title WIRING DIAGRAM NE		Document No 20904123	Issue 14	Volume 01(02)	Page 68(74)
Document type PRODUCT SCHEMATIC				3	4

VDV, INSTRUMENT CLUSTER

SW1_LCN027
NG1B
XC93E12 XC93E10
NG1B
SWP_LCN028
NG1B
XC93E12 XC93E10
SWP_LCN025
NG1B
XC93E12 XC93E10
SWP_LCN024
NG1B
XC93E12 XC93E10

WIRING DIAGRAM NF

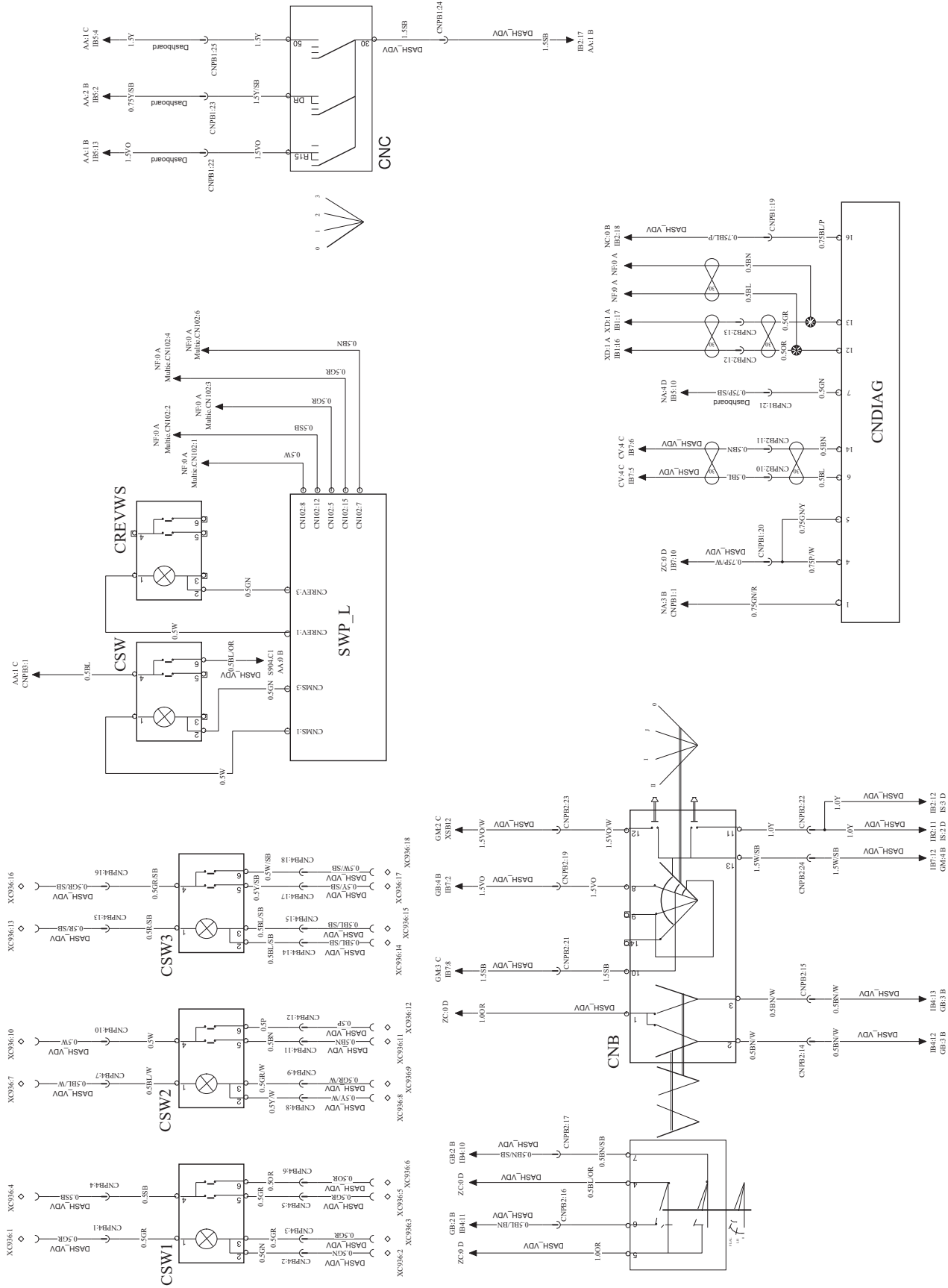
CO1.A FA1B EP4B EP3B
IB79 IB58 IB416 IB418
NA2.D NA2.D NA1.D B01.C NA2.D
IB2.4 IB2.3 IB2.6 IB317 IB711
IB2.1 IB2.11 IB77
NA2.D NA2.C
CNPB1.17 DASH_VDV
CNPB1.18 DASH_VDV
CNPB1.19 DASH_VDV
CNPB1.20 DASH_VDV
CNPB1.21 DASH_VDV
CNPB2.1 DASH_VDV
CNPB2.2 DASH_VDV
CNPB2.3 DASH_VDV
CNPB2.4 DASH_VDV
CNPB2.5 DASH_VDV
CNPB2.6 DASH_VDV
CNPB2.7 DASH_VDV
CNPB2.8 DASH_VDV
CNPB2.9 DASH_VDV
CNPB2.10 DASH_VDV
CNPB2.11 DASH_VDV
CNPB2.12 DASH_VDV
CNPB2.13 DASH_VDV
CNPB2.14 DASH_VDV
CNPB2.15 DASH_VDV
CNPB2.16 DASH_VDV
CNPB2.17 DASH_VDV
CNPB2.18 DASH_VDV
CNPB2.19 DASH_VDV
CNPB2.20 DASH_VDV
CNPB3.1 DASH_VDV
CNPB3.2 DASH_VDV
CNPB3.3 DASH_VDV
CNPB3.4 DASH_VDV
CNPB3.5 DASH_VDV
CNPB3.6 DASH_VDV
CNPB3.7 DASH_VDV
CNPB3.8 DASH_VDV
CNPB3.9 DASH_VDV
CNPB3.10 DASH_VDV
CNPB3.11 DASH_VDV
CNPB3.12 DASH_VDV
CNPB3.13 DASH_VDV
CNPB3.14 DASH_VDV
CNPB3.15 DASH_VDV
CNPB3.16 DASH_VDV
CNPB3.17 DASH_VDV
CNPB3.18 DASH_VDV
CNPB3.19 DASH_VDV
CNPB3.20 DASH_VDV
CNPB3.21 DASH_VDV
CNPB3.22 DASH_VDV
CNPB3.23 DASH_VDV
CNPB3.24 DASH_VDV
CNPB3.25 DASH_VDV
CNPB3.26 DASH_VDV
CNPB3.27 DASH_VDV
CNPB3.28 DASH_VDV
CNPB3.29 DASH_VDV
CNPB3.30 DASH_VDV
CNPB3.31 DASH_VDV
CNPB3.32 DASH_VDV
CNPB3.33 DASH_VDV
CNPB3.34 DASH_VDV
CNPB3.35 DASH_VDV
CNPB3.36 DASH_VDV
CNPB3.37 DASH_VDV
CNPB3.38 DASH_VDV
CNPB3.39 DASH_VDV
CNPB3.40 DASH_VDV
CNPB3.41 DASH_VDV
CNPB3.42 DASH_VDV
CNPB3.43 DASH_VDV
CNPB3.44 DASH_VDV
CNPB3.45 DASH_VDV
CNPB3.46 DASH_VDV
CNPB3.47 DASH_VDV
CNPB3.48 DASH_VDV
CNPB3.49 DASH_VDV
CNPB3.50 DASH_VDV
CNPB3.51 DASH_VDV
CNPB3.52 DASH_VDV
CNPB3.53 DASH_VDV
CNPB3.54 DASH_VDV
CNPB3.55 DASH_VDV
CNPB3.56 DASH_VDV
CNPB3.57 DASH_VDV
CNPB3.58 DASH_VDV
CNPB3.59 DASH_VDV
CNPB3.60 DASH_VDV
CNPB3.61 DASH_VDV
CNPB3.62 DASH_VDV
CNPB3.63 DASH_VDV
CNPB3.64 DASH_VDV
CNPB3.65 DASH_VDV
CNPB3.66 DASH_VDV
CNPB3.67 DASH_VDV
CNPB3.68 DASH_VDV
CNPB3.69 DASH_VDV
CNPB3.70 DASH_VDV
CNPB3.71 DASH_VDV
CNPB3.72 DASH_VDV
CNPB3.73 DASH_VDV
CNPB3.74 DASH_VDV
CNPB3.75 DASH_VDV
CNPB3.76 DASH_VDV
CNPB3.77 DASH_VDV
CNPB3.78 DASH_VDV
CNPB3.79 DASH_VDV
CNPB3.80 DASH_VDV
CNPB3.81 DASH_VDV
CNPB3.82 DASH_VDV
CNPB3.83 DASH_VDV
CNPB3.84 DASH_VDV
CNPB3.85 DASH_VDV
CNPB3.86 DASH_VDV
CNPB3.87 DASH_VDV
CNPB3.88 DASH_VDV
CNPB3.89 DASH_VDV
CNPB3.90 DASH_VDV
CNPB3.91 DASH_VDV
CNPB3.92 DASH_VDV
CNPB3.93 DASH_VDV
CNPB3.94 DASH_VDV
CNPB3.95 DASH_VDV
CNPB3.96 DASH_VDV
CNPB3.97 DASH_VDV
CNPB3.98 DASH_VDV
CNPB3.99 DASH_VDV
CNPB3.100 DASH_VDV



Document No	20904123	Issue	14	Volume	01(02)	Page	69(74)
Document title	WIRING DIAGRAM NF			Document type		PRODUCT SCHEMATIC	

VDV, INSTRUMENT CLUSTER

WIRING DIAGRAM NG



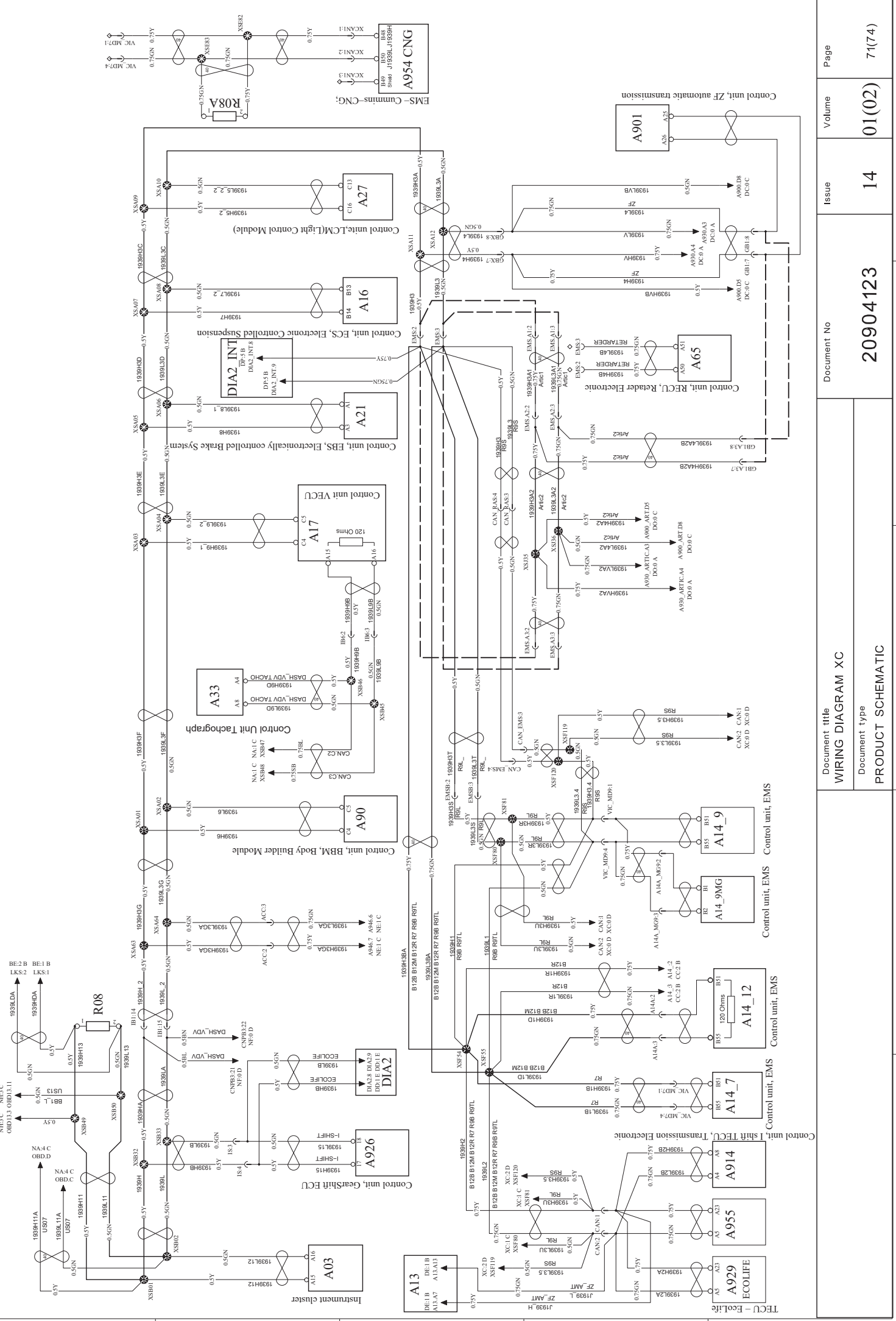
0	1	2	3	4
---	---	---	---	---

A	B	C	D	E
---	---	---	---	---

Document title	Document No	Issue	Volume	Page
WIRING DIAGRAM NG	20904123	14	01(02)	70(74)
Document type				
PRODUCT SCHEMATIC				

CAN SAE 1939

WIRING DIAGRAM XC



Document No	20904123	Issue	14	Volume	01(02)	Page	71(74)
Document title	WIRING DIAGRAM XC	Document No	20904123	Issue	14	Volume	01(02)
Document type	PRODUCT SCHEMATIC	Document No	20904123	Issue	14	Volume	01(02)

