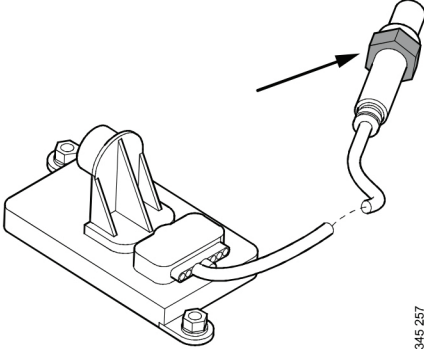


03-26 T115, Sensor de NOx

Momento de aperto - T115, motores de 7, 9, 11, 12, 13 e 16 litros

Aplicável a motores com geração 1 ou 2 de bloco de cilindros.

Componente	Momento de aperto
Sensor	50 Nm



The diagram shows a NOx sensor being installed onto a control module. The sensor is a cylindrical component with a curved electrical lead. An arrow points to the hexagonal base of the sensor where it meets the module. The control module is a rectangular unit with various ports and a mounting bracket. A small vertical number '345 267' is located at the bottom of the diagram.