

MASSA (20) E ASS (10) = 4,94H

MASSA (20) E 5V (15) = 1,4 H

MASSA (20) E TEMP (4) = 5,8H

5V (15) E TEMP (4) = 6,96H

5V (15) E ASS (10) = 5,63H

EG (8) E MASSA (17) = 50,7mH

EF (7) E MASSA (16) = 50,7 mH

BF (9) E MASSA (16) = 50,7 mH

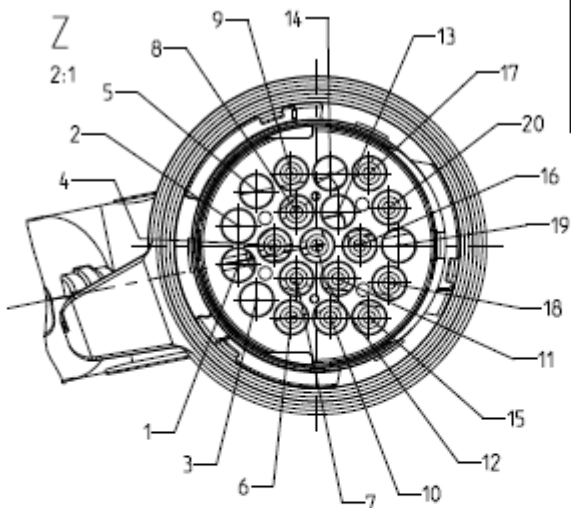
BG (12) E MASSA (17) = 50,7mH

Rede CAN

18

6

11



MV1 = outlet / Entlueftung \varnothing 2,5 (EG)

MV2 = outlet / Entlueftung \varnothing 1,5 (EF)

MV3 = inlet / Belueftung \varnothing 1,5 (BF)

MV4 = Inlet / Belueftung \varnothing 2,5 (BG)

1 = supply pressure / Druckluftanschluss

22 = test port / Pruefanschluss

3 = exhaust / Entlueftung

4 = electronic connector / Elektrischer Anschluss

Sensor

EG (8)
Masse (17)
EF (7)
Masse (20)
Assg. (10)
5V (15)
Temp. (4)
BF (9)
Masse (16)
BG (12)

